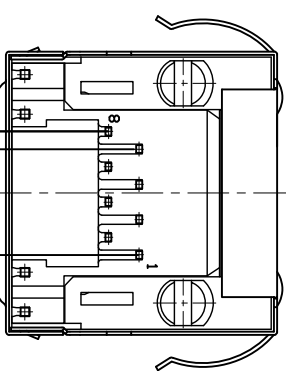
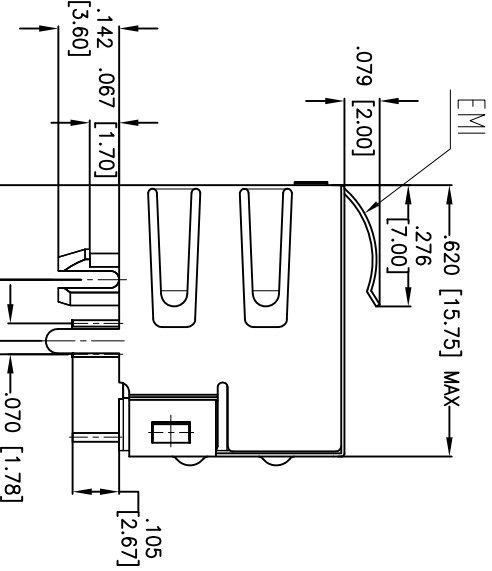
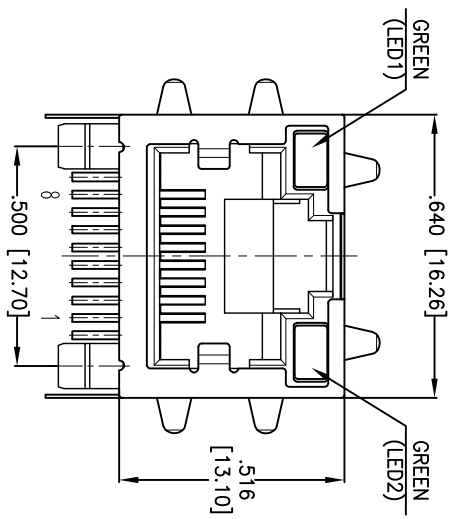
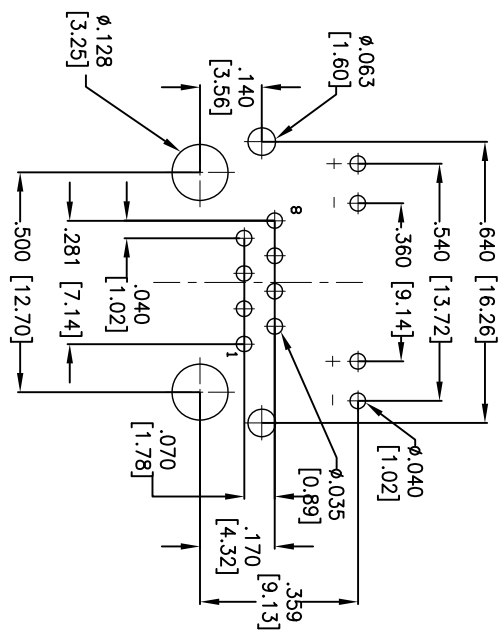


Rev	AWO #	Description	Date	Appr
-		RELEASED	1/25/11	

APPROVED: _____ TITLE: _____
 DATE: _____



X	PLATING
0	15 µin Gold
1	30 µin Gold
2	50 µin Gold



RECOMMENDED PCB LAYOUT

SPECIFICATIONS:
 Material: PBT, glass reinforced, rated UL 94V-0
 Insulator color: Black
 Contacts: Phosphor Bronze
 Shield: Copper Alloy, Nickel plated
 Contact Plating:
 Gold Flash over Nickel underplate on contact area,
 Tin over Copper underplate on tails
 (See chart for thickness).

Electrical:
 Operating voltage: 125 VAC max
 Current rating: 1.5 Amps max
 Contact Resistance: 30 mohms max. initial
 Insulation resistance: 500 Mohms min
 Dielectric withstanding voltage: 1000 VAC for 1 minut
 Temperature Rating:
 Operating temperature: -40°C to +85°C

Environmental:
 Lead free, RoHS compliant.
 Recommended soldering temp: 235°C for 5 sec.



UNLESS OTHERWISE SPECIFIED
 ALL DIMENSIONS ARE INCHES [MM]
 TOLERANCES: EXCEPT AS NOTED
 INCHES: .X ± .10
 .XX ± .020
 .XXX ± .015
 HOLES: Ø.X ± .10
 Ø.XXX ± .015
 APPROVALS: _____ DATE: _____

ADAM TECH
 909 Ratway Avenue, Union, NJ 07083
 Phone: 908-687-5000 Fax: 908-687-5710

TITLE: MODULAR JACK GANGED, 1 PORT, 8P8C
 W/ LED1 GREEN, LED 2 GREEN

DRAWN	CHECKED	APPROVED	DATE	SIZE	PART NO.	REF.	SCALE	SHEET	REV.
AY	JL		1/25/11	X	MTJ-88ARX1-FSW-PG-1D	S00167T	NIS	1 OF 1	