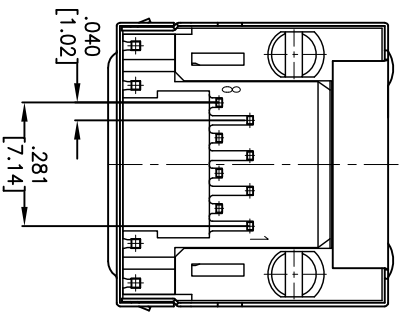
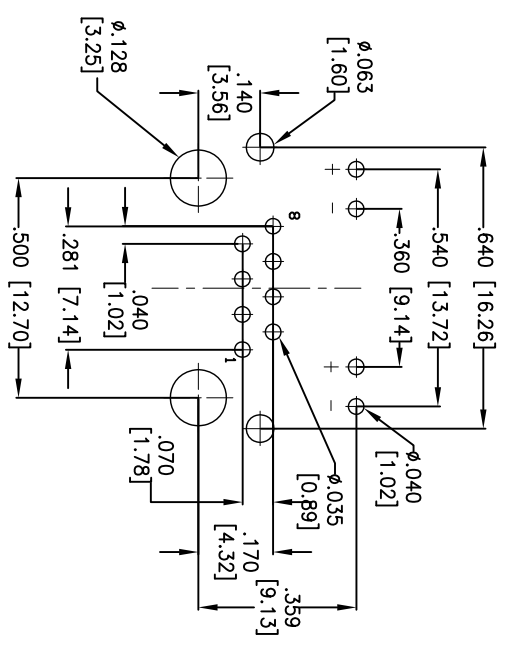
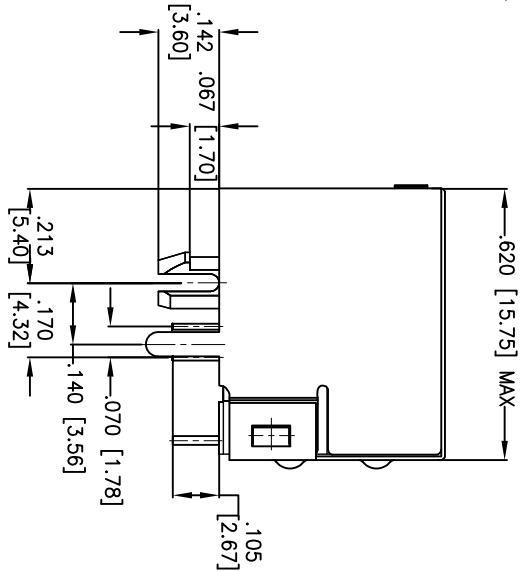
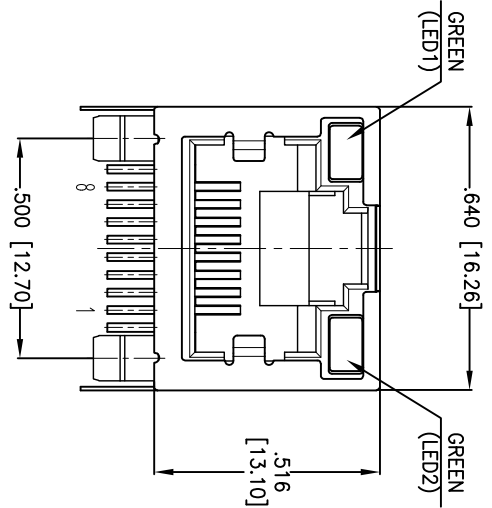


Rev	AWO #	Description	Date	Appr
-		RELEASED	1/25/11	

APPROVED: \_\_\_\_\_ TITLE: \_\_\_\_\_

DATE: \_\_\_\_\_



X	PLATING
0	15 µin Gold
1	30 µin Gold
2	50 µin Gold

**SPECIFICATIONS:**

Material:

Insulator: PBT, glass reinforced, rated UL 94V-0

Insulator color: Black

Contacts: Phosphor Bronze

Shield: Copper Alloy, Nickel plated

Contact Plating:

Gold Flash over Nickel underplate on contact area, Tin over Copper underplate on tails

(See chart for thickness).

Electrical:

Operating voltage: 125 VAC max

Current rating: 1.5 Amps max

Contact Resistance: 30 mohms max. initial

Insulation resistance: 500 Mohms min

Dielectric withstanding voltage: 1000 VAC for 1 minut

Temperature Rating:

Operating temperature: -40°C to +85°C

Environmental:

Lead free, RoHS compliant.

Recommended soldering temp: 235°C for 5 sec.



UNLESS OTHERWISE SPECIFIED  
ALL DIMENSIONS ARE INCHES [MM]  
TOLERANCES: EXCEPT AS NOTED

INCHES	HOLES
.X ± .10	Ø.X ± .10
.XX ± .020	Ø.XXX ± .015
.XXX ± .015	Ø.XXXX ± .010

APPROVALS

DATE	DATE
1/25/11	

DRAWN: AY  
CHECKED: JL  
APPROVED:

**ADAM TECH**  
909 Ratway Avenue, Union, NJ 07083  
Phone: 908-687-5000 Fax: 908-687-5710

TITLE: MODULAR JACK GANGED, 1 PORT, 8P8C  
W/ LED1 GREEN, LED 2 GREEN

SIZE	PART NO.	REV.
X	MTJ-88ARX1-FSW-LD	
REF:	SCALE: NTS	SHEET 1 OF 1
S00167T		