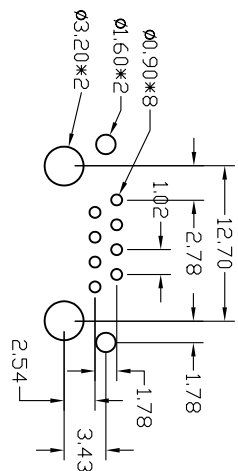
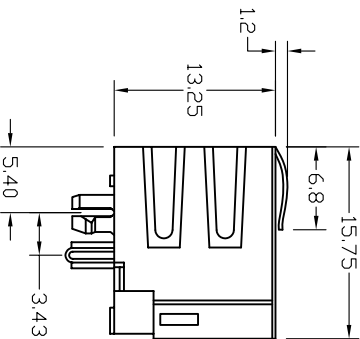
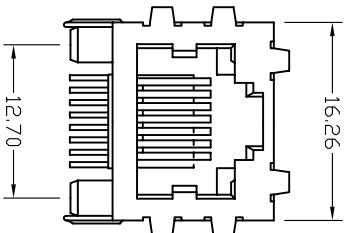
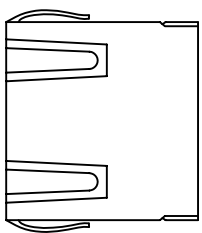


Rev	AWO #	Description	Date	Appr
-	349	Released	1/15/04	

APPROVED: _____
 DATE: _____ TITLE: _____



RECOMMENDED P.C.B. LAYOUT

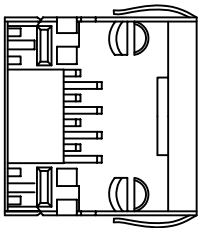
SPECIFICATION :

1. Electrical Char.

- Insulation Resistance : 500M-Ohm Min.
- Contact Resistance : 20milli-Ohm Max.
- Rating Current : 1.5A Max.
- Rating Voltage : 120V AC.
- Dielectric Voltage : 1,000 Vrms 60 Sec. Min.

2. Physical char.

- Housing : Nylon 46 (UL 94V-0)
- Color : Black Color
- Spring Wire : 0.35mm Thickness Phosphor Bronze
- Gold Plating Over Nickel
- Temperature Range : - 40 / +125 Deg C
- Environmental:
- Lead free, RoHS compliant.
- Recommended soldering temp: 260 for 5 sec.



X	PLATING
0	15 μin Gold
1	30 μin Gold
2	50 μin Gold

UNLESS OTHERWISE SPECIFIED
 ALL DIMENSIONS ARE MM [INCHES]
 TOLERANCES: EXCEPT AS NOTED

INCHES	HOLES
.X ± .10	ØX ± .10
.XX ± .020	ØXX ± .015
.XXX ± .015	ØXXX ± .010

APPROVALS _____ DATE _____

DRAWN	SLS	8/14/03
CHECKED		
APPROVED		

ADAM TECH
 909 Rahway Avenue, Union, NJ 07083
 Phone: 908-687-5000 Fax: 908-687-0214

TITLE: MODULAR TELEPHONE JACK, R/A
 W/ PANEL GROUNDS

SIZE	PART NO.	REV.
X	MTJ-88ARX1-FSM-PG6	-
REF:	SCALE: NTS	SHEET 1 OF 1

