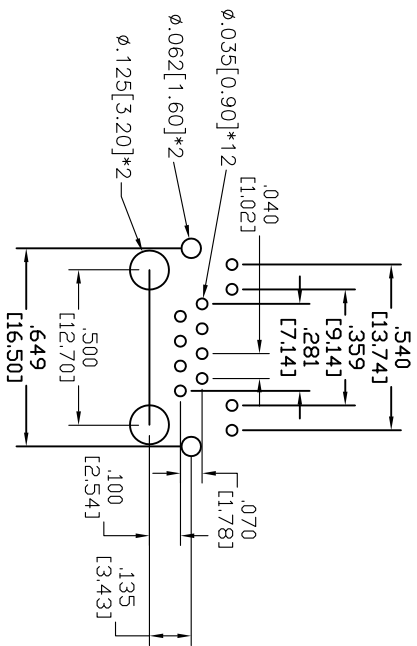
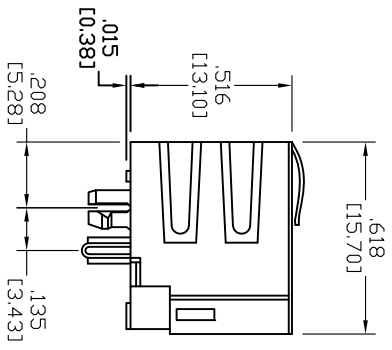
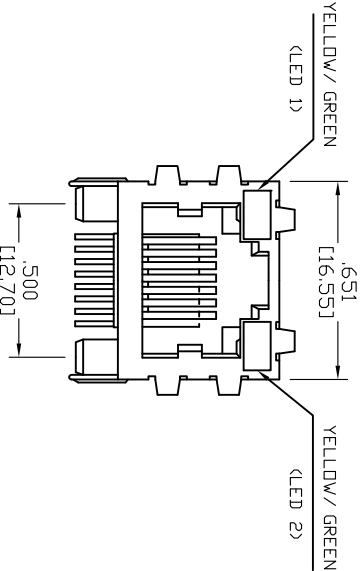
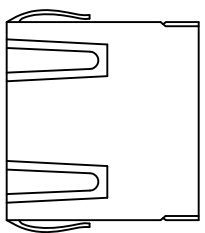
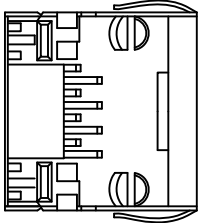


Rev	AWO #	Description	Date	Appr
-		RELEASED	9/21/10	

APPROVED: \_\_\_\_\_  
 DATE: \_\_\_\_\_ TITLE: \_\_\_\_\_



RECOMMENDED P.C.B LAYOUT



X	PLATING
0	15 μin Gold
1	30 μin Gold
2	50 μin Gold

**ADAM TECH**

909 Rahway Avenue, Union, NJ 07083  
 Phone: 908-687-5000 Fax: 908-687-5710

TITLE: MODULAR TELEPHONE JACK, R/A  
 W/ PANEL GROUND, LED'S YEL/GRN

SIZE	PART NO.	REV.
X	MTJ-88ARX1-FSM-PG6-LP-HT	-

UNLESS OTHERWISE SPECIFIED ALL DIMENSIONS ARE INCHES [MM]	
TOLERANCES: EXCEPT AS NOTED	
INCHES	HOLES
.X ± .10	Ø.X ± .10
.XX ± .020	Ø.XX ± .015
.XXX ± .015	Ø.XXX ± .010
APPROVALS	
DRAWN	DATE
AY	9/21/10
CHECKED	
VW	9/21/10
APPROVED	

**SPECIFICATIONS:**

**Material:**  
 Insulator: PA46, glass reinforced, rated UL 94V-0  
 Insulator color: Black  
 Contacts: Phosphor Bronze  
**Plating:**  
 Gold flash over Nickel underplate on contact area,  
 Tin over copper underplate on solder tails.  
 See chart for thickness

**Electrical:**  
 Operating voltage: 150 VAC max  
 Current rating: 1.5 Amps max  
 Contact resistance: 20mohms max. initial  
 Insulation resistance: 500 Mohms min  
 Dielectric withstanding voltage: 1,000 VAC for 1 minute  
**Temperature Rating:**  
 Operating temperature: -40°C to +125°C

**Environmental:**  
 Lead free, RoHS compliant.  
 Recommended soldering temp: 260°C for 5 sec.

