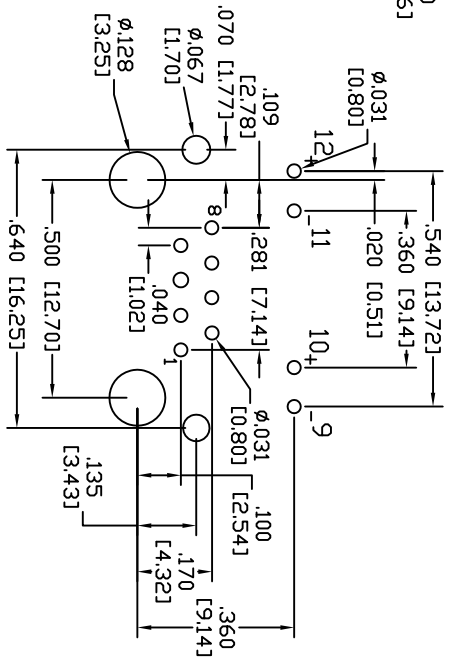
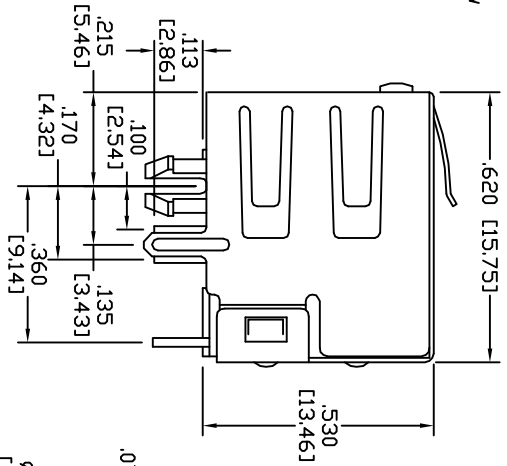
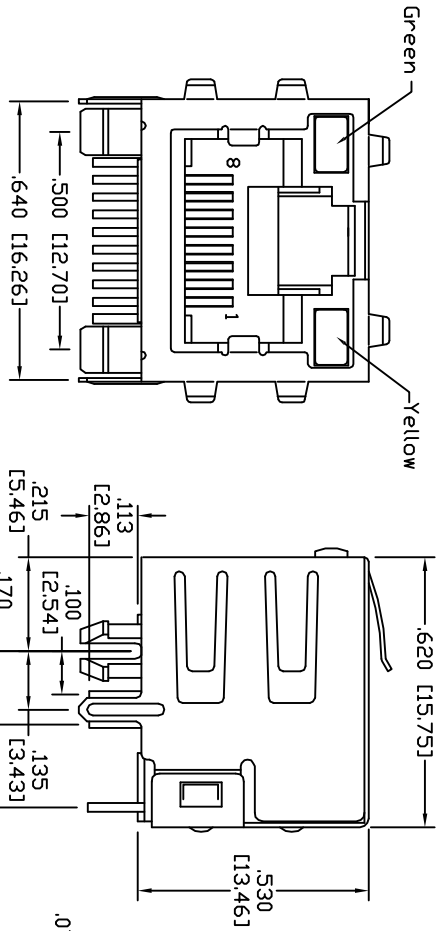


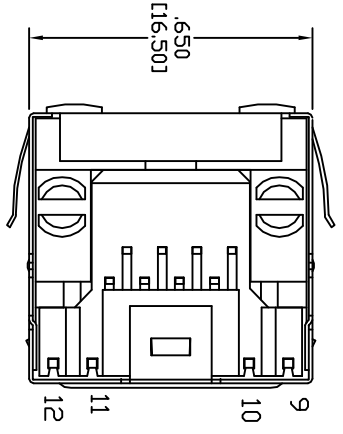
APPROVED: _____
 DATE: _____ TITLE: _____

Rev	AWO #	Description	Date	Appr
-		RELEASED	4/11/06	
A		REVISED SHAPE	12/17/10	



RECOMMENDED PCB LAYOUT

X	PLATING
0	15 μ in Gold
1	30 μ in Gold
2	50 μ in Gold



SPECIFICATIONS:
 Material: Insulator: PBT, glass reinforced, rated UL 94V-0
 Insulator color: Black
 Contacts: Phosphor Bronze

Plating:
 Gold flash over Nickel underplate on contact area,
 Tin over copper underplate on solder tails.
 See chart for thickness

Electrical:
 Operating voltage: 150 VAC max
 Current rating: 1.5 Amps max
 Contact resistance: 20mohms max. initial
 Insulation resistance: 500 Mohms min
 Dielectric withstanding voltage: 1,000 VAC for 1 minute

Temperature Rating:
 Operating temperature: -40°C to +125°C
 Environmental:
 Lead free, RoHS compliant.
 Recommended soldering temp: 235°C for 5 sec.



UNLESS OTHERWISE SPECIFIED
 ALL DIMENSIONS ARE INCHES [MM]
 TOLERANCES: EXCEPT AS NOTED

INCHES	HOLES
.X ± .10	Ø.X ± .10
.XX ± .020	Ø.XXX ± .015
.XXX ± .015	Ø.XXXX ± .010

APPROVALS

DATE	DATE

ADAM TECH
 909 Rahway Avenue, Union, NJ 07083
 Phone: 908-687-5000 Fax: 908-687-5710

TITLE: MODULAR TELEPHONE JACK, R/A
 W/ PANEL GROUNDS, LED'S

DRAWN	LFJ	4/11/06
CHECKED		
APPROVED		

SIZE	PART NO.	REV.
X	MTJ-88ARX1-FSM-PG6-LH	-

REF: S0006C SCALE: NTS SHEET 1 OF 1