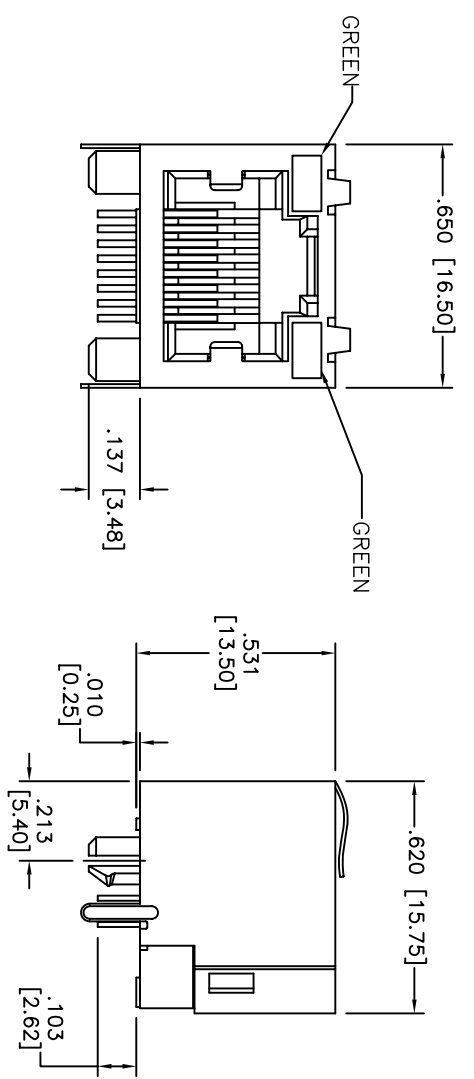


Rev	AWO #	Description	Date	Appr
-	-	Released	7/19/07	

APPROVED: _____
 DATE: _____ TITLE: _____

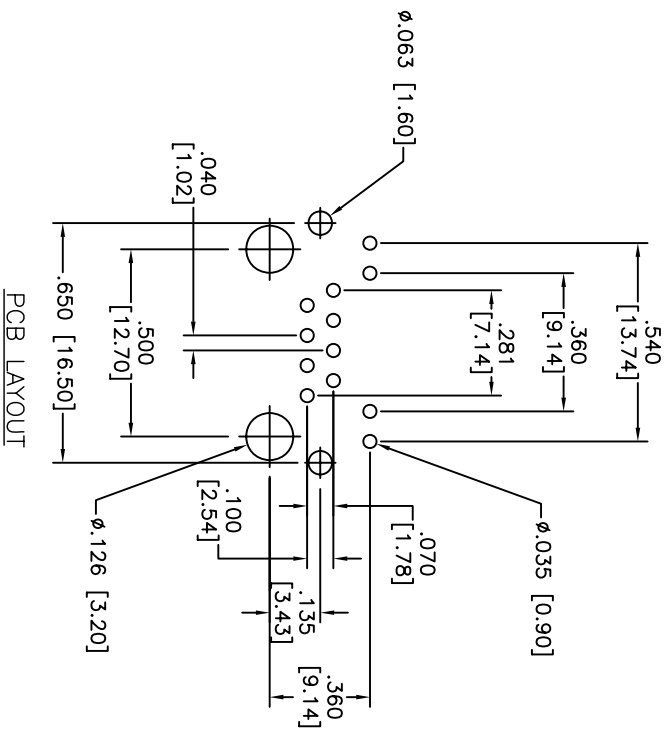


SPECIFICATIONS:

X	PLATING
0	15 µin Gold
1	30 µin Gold
2	50 µin Gold

Material:
 Insulator: Hi-Temp Nylon 46 rated UL 94V-0
 Insulator color: Black
 Contacts: Phosphor Bronze
Plating:
 Gold flash over Nickel underplate on contact area,
 Tin over copper underplate on solder tails.
 See chart for thickness

Electrical:
 Operating voltage: 150 VAC max
 Current rating: 1.5 Amps max
 Contact resistance: 20mohms max. initial
 Insulation resistance: 500 Mohms min
 Dielectric withstanding voltage: 1,000 VAC for 1 minute
Temperature Rating:
 Operating temperature: -40°C to +125°C
 Environmental:
 Lead free, RoHS compliant.
 Recommended soldering temp: 260°C for 5 sec.



ADAM TECH

909 Rahway Avenue, Union, NJ 07083
 Phone: 908-687-5000 Fax: 908-687-0214

MODULAR TELEPHONE JACK, R/A
W/ PANEL GROUNDS, LED GRN/GRN

UNLESS OTHERWISE SPECIFIED ALL DIMENSIONS ARE MM [INCHES] TOLERANCES: EXCEPT AS NOTED INCHES		HOLE SIZE	
.X ± .10	ØX ± .10	ØXXX ± .015	DATE
.XX ± .020	ØXXX ± .015	ØXXX ± .010	
.XXX ± .015	ØXXX ± .010		
APPROVALS		DATE	
DRAWN	SS	7/19/07	
CHECKED			
APPROVED			
SIZE	PART NO.	REV.	
X	MTJ-88ARX1-FSM-PG-LD-HT	-	
REF:	SCALE: NTS	SHEET 1 OF 1	

6 5 4 3 2 1

A B C D