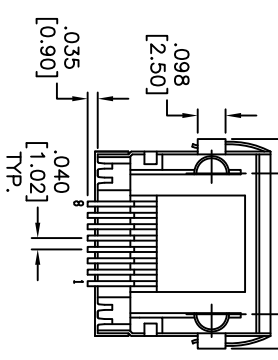
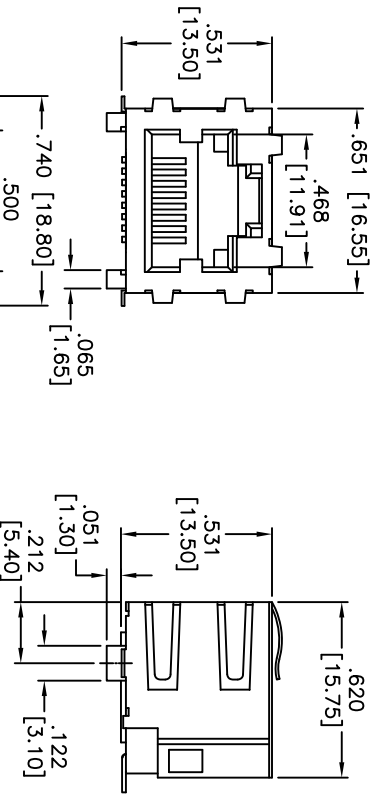
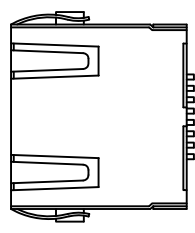


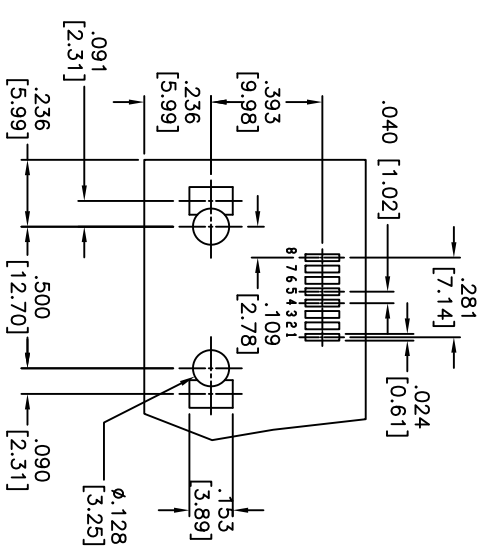
Rev	AWO #	Description	Date	Appr
-		RELEASED	10/28/09	

APPROVED: _____
 DATE: _____ TITLE: _____



PACKAGED ON TAPE & REEL

X	PLATING
0	15 µin Gold
1	30 µin Gold
2	50 µin Gold



RECOMMENDED PCB LAYOUT

SPECIFICATIONS:
 Material: Nylon 46, rated UL 94V-0
 Insulator color: Black
 Contacts: Phosphor Bronze
 Shield: Copper Alloy, Nickel plated
 Plating: Gold over Nickel underplate on contact area, Tin over Copper underplate on SMT tails.
 (See chart for thickness)
Electrical:
 Operating voltage: 150 VAC max
 Current rating: 1.5 Amps max
 Contact resistance: 20 mohms max
 Insulation resistance: 500 Mohms min @ 500 VDC
 Dielectric withstanding voltage: 1000 VAC for 1 minute
 Temperature Rating:
 Operating temperature: -40°C to +125°C
Environmental:
 Lead free, RoHS compliant.
 Recommended soldering temp: 260°C for 5 sec.

ADAM TECH

909 Rahway Avenue, Union, NJ 07083
 Phone: 908-687-5000 Fax: 908-687-5710

MODULAR TELEPHONE JACK, 8P8C
 SHIELDED, SMT TYPE, SIDE ENTRY

UNLESS OTHERWISE SPECIFIED ALL DIMENSIONS ARE INCHES [MM]		TOLERANCES EXCEPT AS NOTED		HOLDS	
.X	± .10	ØX	± .10		
.XX	± .020	ØXXX	± .015		
.XXX	± .015	ØXXX	± .010		
APPROVALS		DATE			
DRAWN	DY	10/28/09			
CHECKED					
APPROVED					
TITLE		SIZE	PART NO.	REV.	
MODULAR TELEPHONE JACK, 8P8C SHIELDED, SMT TYPE, SIDE ENTRY		X	MTJ-88ARX1-FS-SMT-PG-T/R	-	
REF: S00065T		SCALE: NTS	SHEET 1 OF 1		

6 5 4 3 2 1

