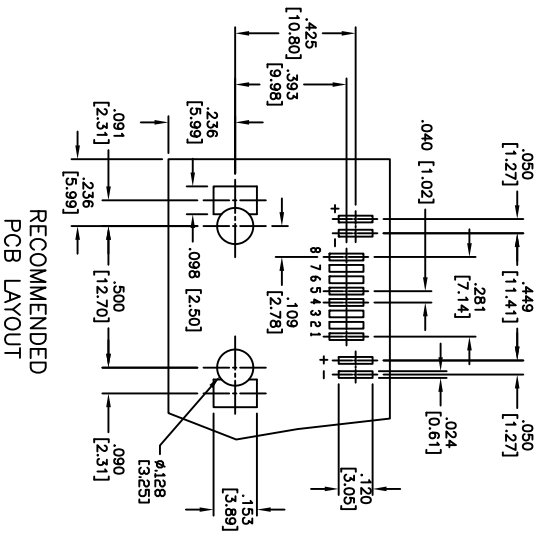
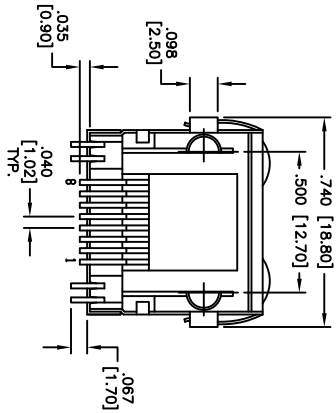
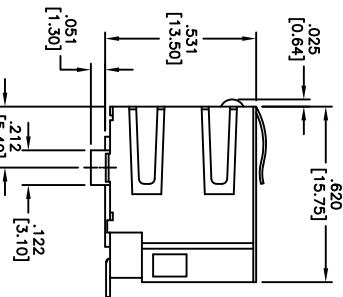
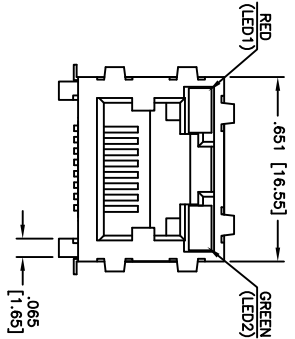
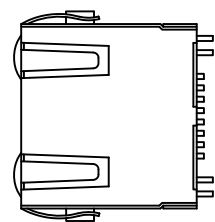


Rev	AWO #	Description	Date	Appr
-		RELEASED	11/03/10	

APPROVED: _____
 DATE: _____ TITLE: _____



X	PLATING
0	15 µin Gold
1	30 µin Gold
2	50 µin Gold

RECOMMENDED
PCB LAYOUT

SPECIFICATIONS:

Material: Nylon 46, rated UL 94V-0
 Insulator color: Black
 Contacts: Phosphor Bronze
 Shield: Copper Alloy, Nickel plated
 Plating: Gold over Nickel underplate on contact area, Tin over Copper underplate on SMT tails.
 (See chart for thickness)

Electrical:
 Operating voltage: 150 VAC max
 Current rating: 1.5 Amps max
 Contact resistance: 20 mohms max
 Insulation resistance: 500 Mohms min @ 500 VDC
 Dielectric withstanding voltage: 1000 VAC for 1 minute
 Temperature Rating:
 Operating temperature: -40°C to +125°C

Environmental:
 Recommended soldering temp: 260°C for 5 sec.

Environmental:
 Recommended soldering temp: 260°C for 5 sec.

Environmental:
 Recommended soldering temp: 260°C for 5 sec.



ADAM TECH

909 Rahway Avenue, Union, NJ 07083
 Phone: 908-687-5000 Fax: 908-687-5710

TITLE: MODULAR TELEPHONE JACK, 8P8C
 RIGHT ANGLE, SMT, SHIELDED, RED & GRN LEADS

UNLESS OTHERWISE SPECIFIED ALL DIMENSIONS ARE INCHES [MM]		TOLERANCES: EXCEPT AS NOTED		HOLDS		DATE	
.X	± .10	ØX	± .10				
.XX	± .020	ØXXX	± .015				
.XXX	± .015	ØXXX	± .010				
DRAWN		DY		11/03/10			
CHECKED							
APPROVED							
SIZE	PART NO.	SCALE	NTS	SHEET	1 OF 1	REV.	
X	MTJ-88ARX1-FS-SMT-PG-L11						
REF:	S00065T						