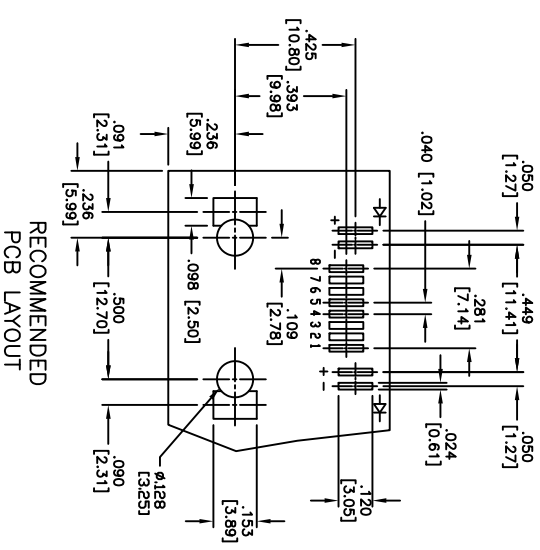
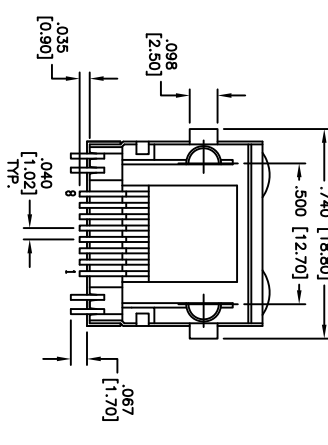
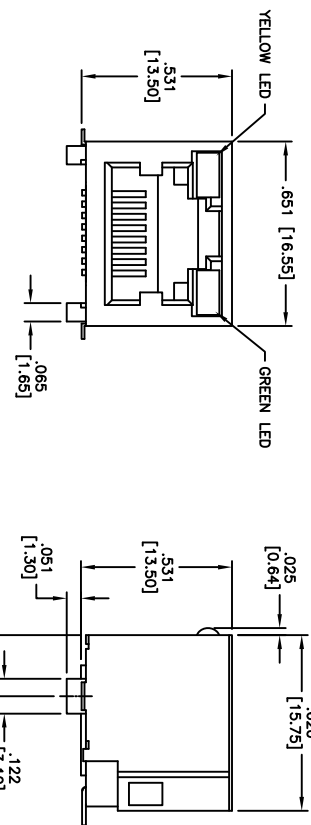
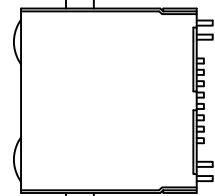


APPROVED: _____
 DATE: _____ TITLE: _____

Rev	AWO #	Description	Date	Appr
-		RELEASED	10/04/04	
A		REDRAWN	11/23/10	



X	PLATING
0	15 µin Gold
1	30 µin Gold
2	50 µin Gold

RECOMMENDED
PCB LAYOUT

SPECIFICATIONS:

Material: Insulator: Nylon 46, rated UL 94V-0
Insulator color: Black
Contacts: Phosphor Bronze
Shield: Copper Alloy, Nickel plated
Plating: Gold over Nickel underplate on contact area, Tin over Copper underplate on SMT tails.
 (See chart for thickness)

Electrical:

Operating voltage: 150 VAC max
Current rating: 1.5 Amps max
Contact resistance: 20 mohms max
Insulation resistance: 500 Mohms min @ 500 VDC
Dielectric withstanding voltage: 1000 VAC for 1 minute
Temperature Rating: Operating temperature: -40°C to +125°C

Environmental: Lead free, RoHS compliant.
Recommended soldering temp: 260°C for 5 sec.



UNLESS OTHERWISE SPECIFIED
 ALL DIMENSIONS ARE INCHES [MM]
 TOLERANCES: EXCEPT AS NOTED
 INCHES HOLE SIZES
 .X ± .10 ØX ± .10
 .XX ± .020 ØXX ± .015
 .XXX ± .015 ØXXX ± .010
 APPROVALS DATE

ADAM TECH

909 Rahway Avenue, Union, NJ 07083
 Phone: 908-687-5000 Fax: 908-687-5710

MODULAR TELEPHONE JACK, 8P8C
RIGHT ANGLE, SMT, SHIELDED, YLE & GRN LEADS

DRAWN	SS	10/04/04	SIZE	PART NO.	REV.
CHECKED			X	MTJ-88ARX1-FS-SMT-LG	A
APPROVED			REF:	S00065T	
			SCALE:	NIS	SHEET 1 OF 1