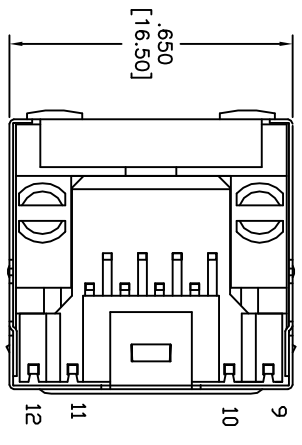
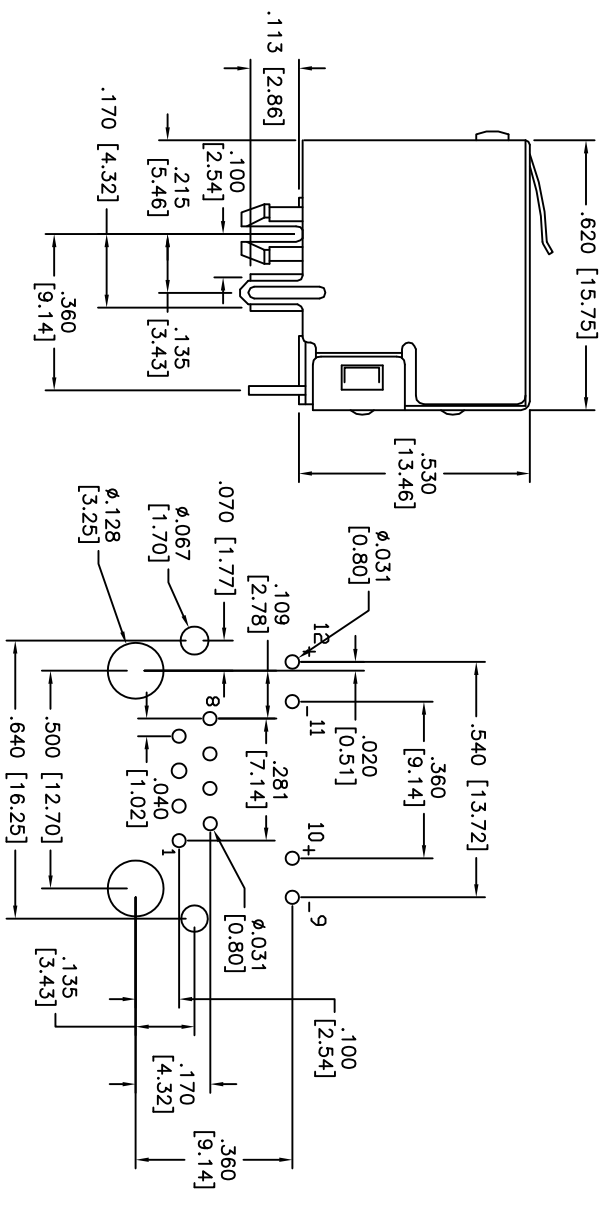
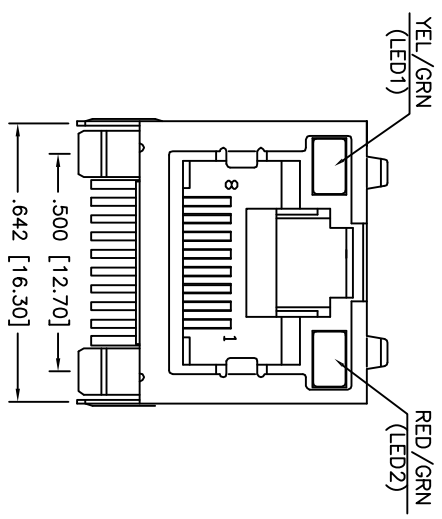


Rev	AWO #	Description	Date	Appr
-		RELEASED	4/29/10	

APPROVED: \_\_\_\_\_ TITLE: \_\_\_\_\_  
 DATE: \_\_\_\_\_



RECOMMENDED PCB LAYOUT

X	PLATING
0	15 uin Gold
1	30 uin Gold
2	50 uin Gold

**SPECIFICATIONS:**

**Material:**  
 Insulator: PBT, rated UL 94V-0  
 Insulator color: Black  
 Contacts: Phosphor Bronze  
 Shield: Brass  
**Plating:**  
 Gold flash over Nickel underplate on contact area,  
 Tin over copper underplate on solder tails.  
 (See chart for thickness)

**Electrical:**  
 Operating voltage: 125 VAC max  
 Current rating: 1.5 Amps max  
 Contact resistance: 45 mohms max. initial  
 Insulation resistance: 1000 Mohms min  
 Dielectric withstanding voltage: 1,000 VAC for 1 minute

**Temperature Rating:**  
 Operating temperature: -40°C to +85°C  
**Environmental:**  
 Lead free, RoHS compliant.  
 Recommended soldering temp: 235°C for 5 sec.



**ADAM TECH**

909 Rahway Avenue, Union, NJ 07083  
 Phone: 908-687-5000 Fax: 908-687-5710

TITLE: MODULAR TELEPHONE JACK, 8P8C, R/A  
 W/ LED1 YELLOW/GREEN, LED2 RED/GREEN

UNLESS OTHERWISE SPECIFIED ALL DIMENSIONS ARE INCHES [MM]		TOLERANCES: EXCEPT AS NOTED INCHES		HOLES	
.X	± .10	Ø.X	± .10		
.XX	± .020	Ø.XX	± .015		
.XXX	± .015	Ø.XXX	± .010		
APPROVALS		DATE			
DRAWN	DY	4/29/10			
CHECKED					
APPROVED					
SIZE	PART NO.	TITLE		REF:	REV.
X	MTJ-88ARX1-FS-PG21-L27	MODULAR TELEPHONE JACK, 8P8C, R/A W/ LED1 YELLOW/GREEN, LED2 RED/GREEN		S00005C	-
SCALE:	NTS	SHEET 1 OF 1			