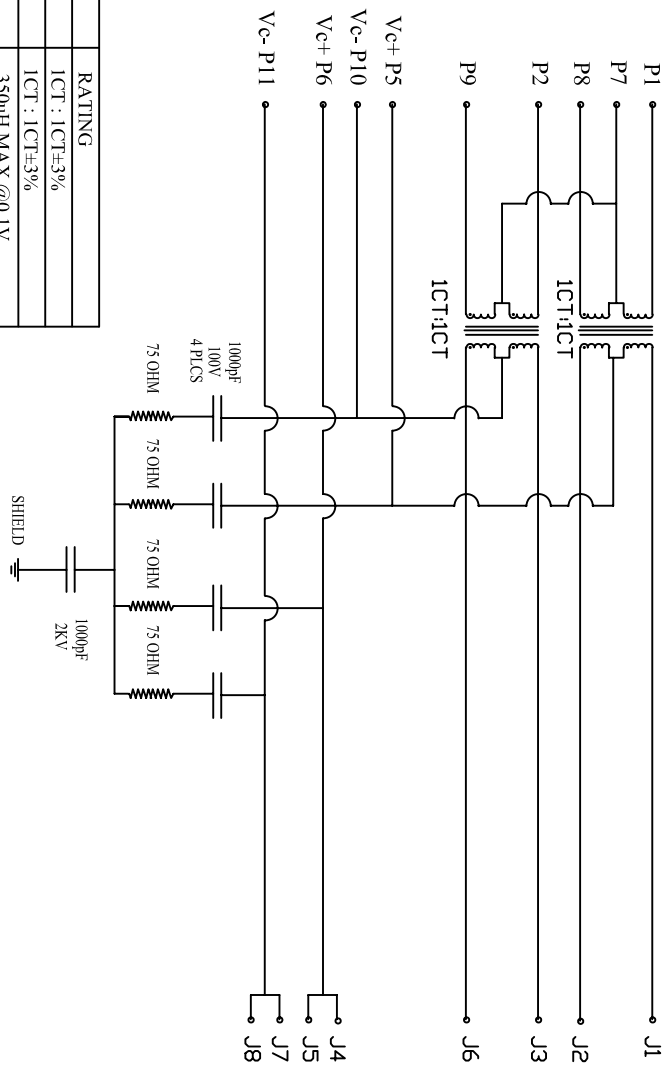


APPROVED: _____

DATE: _____ TITLE: _____

Rev	AWO #	Description	Date	Appr
		SEE SHT 1 OF 2 FOR REVISION		



Specifications :

SPECIFICATION	RATING
1 TURNS RATIO (P1-P8) : (J1-J2) (P2-P9) : (J3-J6)	ICT : ICT±3% ICT : ICT±3%
2 INDUCTANCE: (P1-P8) (P2-P9)	350uH MAX.@0.1V, 100KHz, 8mA DC BIAS 350uH MAX.@0.1V, 100KHz, 8mA DC BIAS
3 LEAKAGE INDUCTANCE: P1-P8 (w/ J1 & J2 SHORTED) P2-P9 (w/ J3 & J6 SHORTED)	0.3 uH MAX.@1MHz 0.3 uH MAX.@1MHz
4 INTERWINDING CAPACITANCE (P1-P8) : (J1 ~ J2) (P2 ~ P9) : (J3 ~ J6)	30pf MAX. @ 1MHz 30pf MAX. @ 1MHz
5 DC RESISTANCE: (J1-J2) : (J3-J6)	1.2 ohms MAX.
6 RETURN LOSS: 1MHz TO 30MHz 30MHz TO 80MHz	-18dB MIN. -12dB MIN.
7 DIELECTRIC WITHSTAND: (P1 ~ P8) : (J1 ~ J2) (P2 ~ P9) : (J3 ~ J6)	1500 VAC 1500 VAC
8 INSERTION LOSS: RS = RL = 100ohms 100KHz TO 80MHz	-1.1 dB TYP.
9 RISE TIME: RS=100ohms AND RL=100ohms OUTPUT VOLTAGE = 1V peak PULSE WIDTH=112ns	3.0ns MAX. 3.0ns MAX.
10 CROSS TALK: 1MHz TO 100MHz	40dB TYP.
11 COMMON TO COMMON MODE ATTENUATION: 30MHz - 100MHz	35dB TYP.

ADAM TECH

909 Rahway Avenue, Union, NJ 07083
 Phone: 908-687-5000 Fax: 908-687-5710

Magnetic Telephone Jack, 1000 BASE T,
 8 Position, 8 Contact, Fully Shielded

UNLESS OTHERWISE SPECIFIED ALL DIMENSIONS ARE MM [INCHES] TOLERANCES: EXCEPT AS NOTED	
.X ± .10	ØX ± .10
.XX ± .020	ØXX ± .015
.XXX ± .015	ØXXX ± .010
APPROVALS	DATE
DRAWN	SS
CHECKED	
APPROVED	
SIZE	PART NO.
X	MTJ-88APX1-FSH-PG6-M16
SCALE: NTS	SHEET 2 OF 2