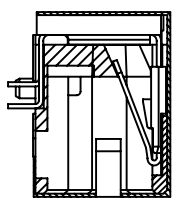
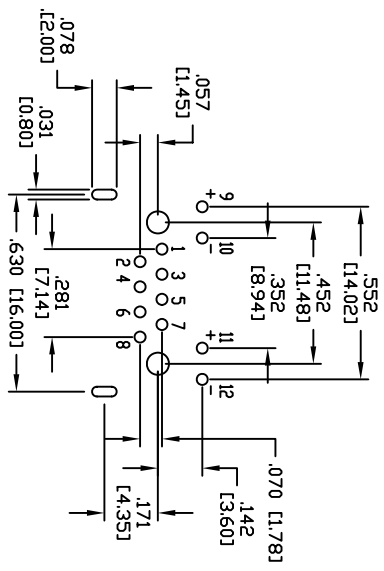
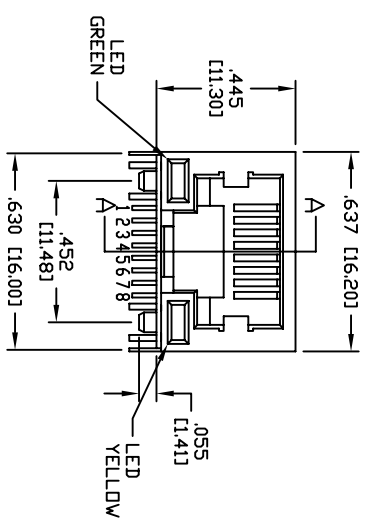
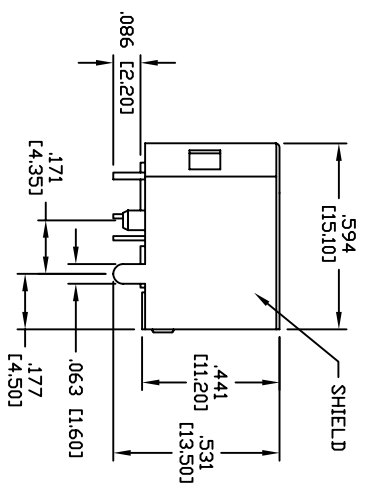
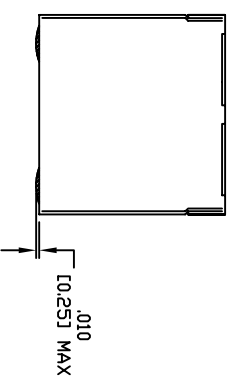
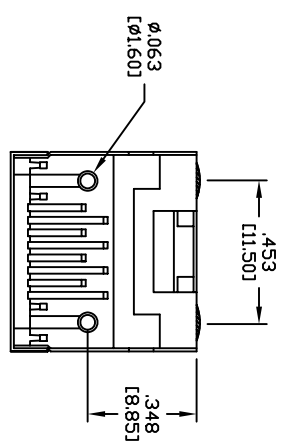


Rev	AWO #	Description	Date	Appr
-		RELEASED	05/23/05	

APPROVED: _____
 DATE: _____ TITLE: _____



SEC A-A



RECOMMENDED
PCB LAYOUT

SPECIFICATIONS:
Material:
 Insulator: Nylon 46, DSM Stanyl, rated UL 94V-0
 Insulator color: Black
 Contacts: Brass
 Shield: Copper Alloy, Tin plated
 Plating:
 "X" Gold over Nickel underplate on mating area, Tin over Copper underplate on solder tails

"X"	PLATING
0	15 µin Gold
1	30 µin Gold
2	50 µin Gold

Operating voltage: 150 VAC max
 Current rating: 1.5 Amp max
 Contact resistance: 20 mohms max
 Insulation resistance: 500 Mohms min @ 500 VDC
 Dielectric withstanding voltage: 1000 VAC for 1 minute

Environmental:
 Operating temperature: -40°C to +125°C
 Lead free, RoHS compliant.
 Recommended soldering temp: 235°C for 5 sec.

UNLESS OTHERWISE SPECIFIED
 ALL DIMENSIONS ARE INCHES [MM]
 TOLERANCES: EXCEPT AS NOTED

INCHES	HOLES
.X ± .10	Ø.X ± .10
.XX ± .020	Ø.XX ± .015
.XXX ± .015	Ø.XXX ± .010

APPROVALS	DATE
DRAWN SS	05/23/05
CHECKED	
APPROVED	

ADAM TECH
 909 Rahway Avenue, Union, NJ 07083
 Phone: 908-687-5000 Fax: 908-687-5710

TITLE: MODULAR TELEPHONE JACK, 8P8C, LED, BOTTOM TAB, SHIELDED

SIZE	PART NO.	REV.
X	MTJ-88AAX1-FSV-LH	
REF:	SCALE: NTS	SHEET 1 OF 1

