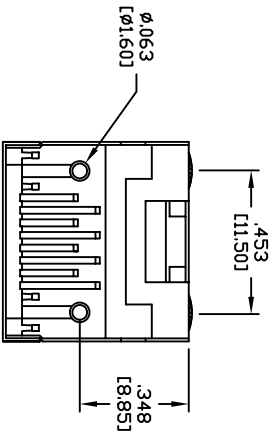
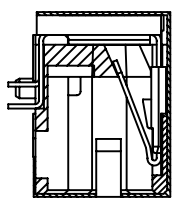
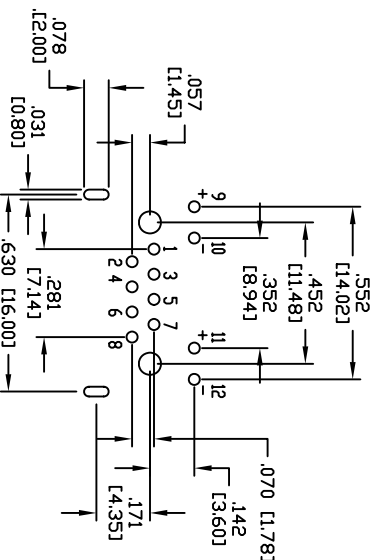
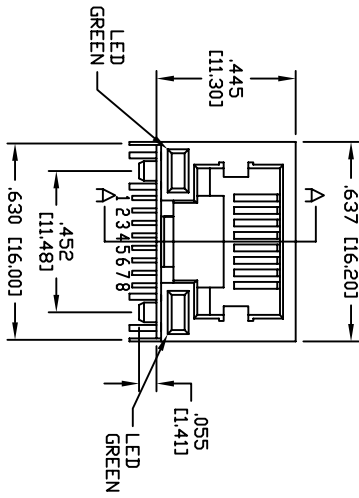
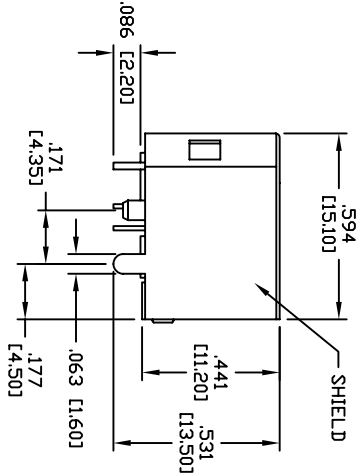
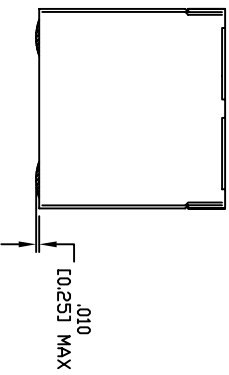


Rev	AWO #	Description	Date	Appr
-		RELEASED	05/23/05	

APPROVED: \_\_\_\_\_  
 DATE: \_\_\_\_\_ TITLE: \_\_\_\_\_



"X"	PLATING
0	15 µin Gold
1	30 µin Gold
2	50 µin Gold

**SPECIFICATIONS:**  
**Material:**  
 Insulator: Nylon 46, DSM Stanyl, rated UL 94V-0  
 Insulator color: Black  
 Contacts: Brass  
 Shield: Copper Alloy, Tin plated  
 Plating:  
 "X" Gold over Nickel underplate on mating area, Tin over Copper underplate on solder tails  
**Electrical:**  
 Operating voltage: 150 VAC max  
 Current rating: 1.5 Amp max  
 Contact resistance: 20 mohms max  
 Insulation resistance: 500 Mohms min @ 500 VDC  
 Dielectric withstanding voltage: 1000 VAC for 1 minute  
**Environmental:**  
 Operating temperature: -40°C to +125°C  
 Lead free, RoHS compliant.  
 Recommended soldering temp: 235°C for 5 sec.

UNLESS OTHERWISE SPECIFIED	
ALL DIMENSIONS ARE INCHES [MM]	
TOLERANCES: EXCEPT AS NOTED	
INCHES	HOLES
.X ± .10	Ø.X ± .10
.XX ± .020	Ø.XX ± .015
.XXX ± .015	Ø.XXX ± .010

APPROVALS		DATE
DRAWN	SS	05/23/05
CHECKED		
APPROVED		

**ADAM TECH**  
 909 Rahway Avenue, Union, NJ 07083  
 Phone: 908-687-5000 Fax: 908-687-5710

TITLE: MODULAR TELEPHONE JACK, 8P8C, LED, BOTTOM TAB, SHIELDED

SIZE: PART NO. **MTJ-88AAX1-FSV-LD** REV. \_\_\_\_\_

REF: SCALE: NTS SHEET 1 OF 1