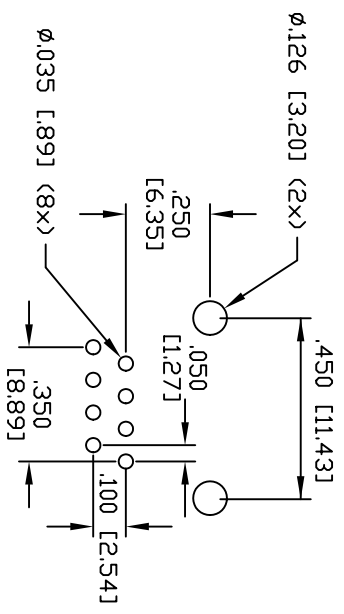
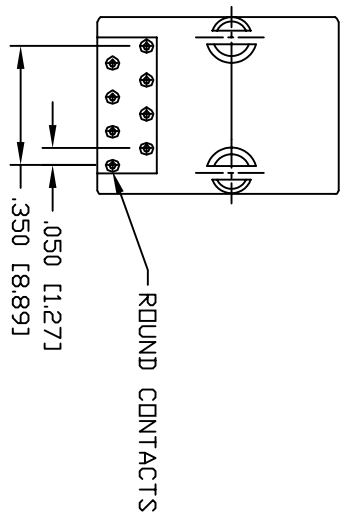
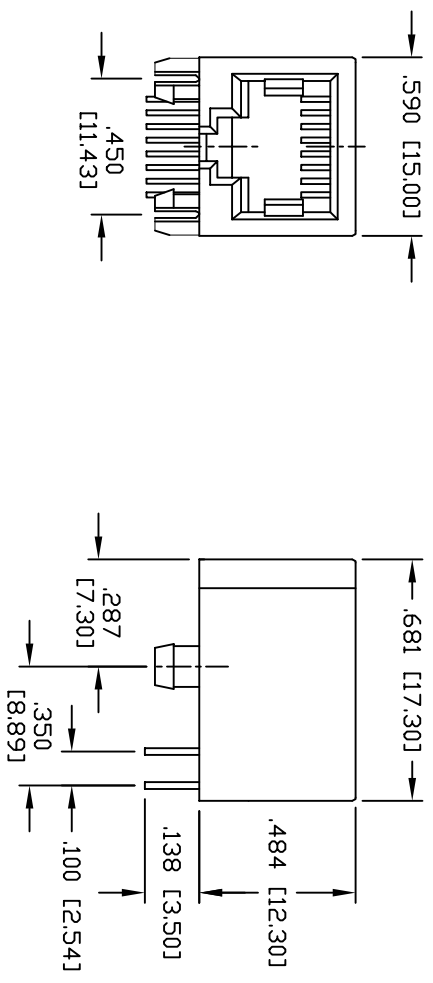


Rev	AWO #	Description	Date	Appr
-		RELEASED	9/28/04	

APPROVED: \_\_\_\_\_  
 DATE: \_\_\_\_\_ TITLE: \_\_\_\_\_



**RECOMMENDED  
 PCB LAYOUT (TOP VIEW)**

X	PLATING
0	15 µin Gold
1	30 µin Gold
2	50 µin Gold

**SPECIFICATIONS:**

Material: Insulator: PBT, glass reinforced, rated UL 94V-0  
 Insulator color: Black  
 Contacts: Phosphor Bronze  
 Plating: X plating over Nickel underplate on contact area, Tin over copper underplate on solder tails  
 Electrical: Operating voltage: 250 VAC max  
 Current rating: 1.5 Amps max  
 Contact resistance: 20 mohms max.  
 Insulation resistance: 500 Mohms min @ 500 VDC  
 Dielectric withstanding voltage: 1000 VAC for 1 minute  
 Temperature Rating: Operating temperature: -40°C to +125°C

A

A

B

B

C

C

D

D

6

5

4

3

2

1

UNLESS OTHERWISE SPECIFIED  
 ALL DIMENSIONS ARE INCHES [MM]  
 TOLERANCES: EXCEPT AS NOTED  
 INCHES Holes ±.10  
 .X ±.10 ØXX ±.10  
 .XX ±.020 ØXXX ±.015  
 .XXX ±.015 ØXXXX ±.010

APPROVALS: \_\_\_\_\_ DATE: 9/28/04

DRAWN: SS

CHECKED: \_\_\_\_\_

APPROVED: \_\_\_\_\_

**ADAM TECH**  
 909 Rahway Avenue, Union, NJ 07083  
 Phone: 908-687-5000 Fax: 908-687-5710

MODULAR TELEPHONE JACK, 8P8C  
 RIGHT ANGLE

SIZE: X PART NO.: MTJ-889X1  
 REF: \_\_\_\_\_ SCALE: NTS SHEET 1 OF 1