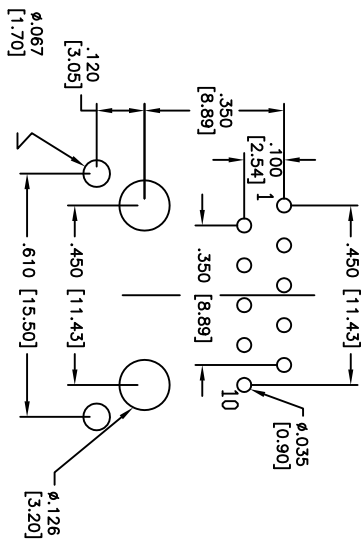
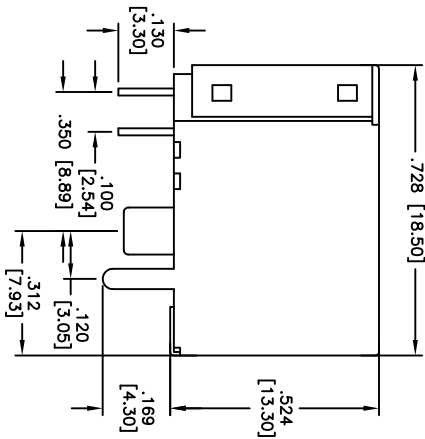
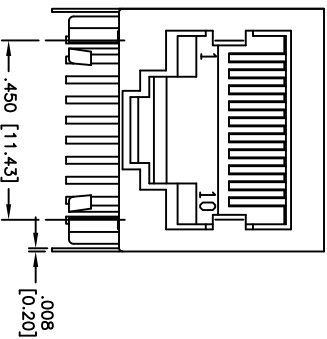
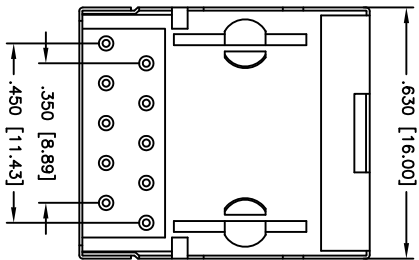


APPROVED: _____
 DATE: _____ TITLE: _____

Rev	AWO #	Description	Date	Appr
-		RELEASED	7/27/04	
A		REDRAWN	12/05/06	
B		REDRAWN	10/27/10	



RECOMMENDED PCB LAYOUT

SPECIFICATIONS:

- Material: Insulator: PBT, rated UL 94V-0
- Insulator color: Black
- Contacts: Phosphor Bronze
- Shield: Brass, Nickel plated
- Plating: Gold Flash over Nickel underplate on contact area, Tin over Copper underplate on tails (See chart for thickness).
- Electrical: Operating voltage: 125 VAC max
- Current rating: 1.5 Amps max
- Contact resistance: 35 mohms max
- Insulation resistance: 1000 Mohms min @ 500 VDC
- Dielectric withstanding voltage: 1000 VAC for 1 minute
- Temperature Rating: Operating temperature: 0°C to +70°C
- Environmental: Lead free, RoHS compliant.
- Recommended soldering temp: 235°C for 5 sec.

"X"	PLATING
0	15 µin Gold
1	30 µin Gold
2	50 µin Gold

UNLESS OTHERWISE SPECIFIED
 ALL DIMENSIONS ARE IN INCHES [MM]
 TOLERANCES: EXCEPT AS NOTED
 INCHES Holes ±.10
 .X ±.10 ØXX ±.10
 .XX ±.020 ØXXX ±.015
 .XXX ±.015 ØXXXX ±.010
 APPROVALS DATE

ADAM TECH

909 Railway Avenue, Union, NJ 07083
 Phone: 908-687-5000 Fax: 908-687-5710

MODULAR TELEPHONE JACK, 8P8C
 RIGHT ANGLE, FULL SHIELD

Operating voltage: 125 VAC max
 Current rating: 1.5 Amps max
 Contact resistance: 35 mohms max
 Insulation resistance: 1000 Mohms min @ 500 VDC
 Dielectric withstanding voltage: 1000 VAC for 1 minute
 Temperature Rating: Operating temperature: 0°C to +70°C
 Environmental: Lead free, RoHS compliant.
 Recommended soldering temp: 235°C for 5 sec.



SIZE	PART NO.	REV.
X	MTJ-889X1-FSE	B
REF: S0003C	SCALE: NTS	SHEET 1 OF 1