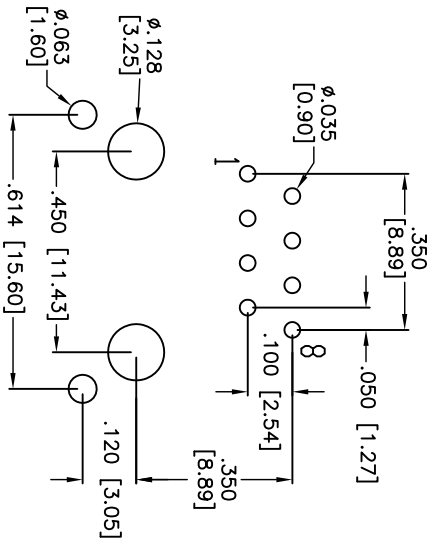
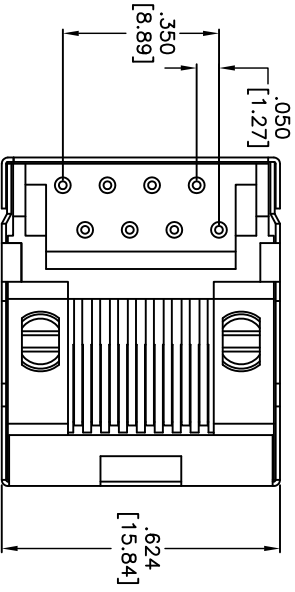
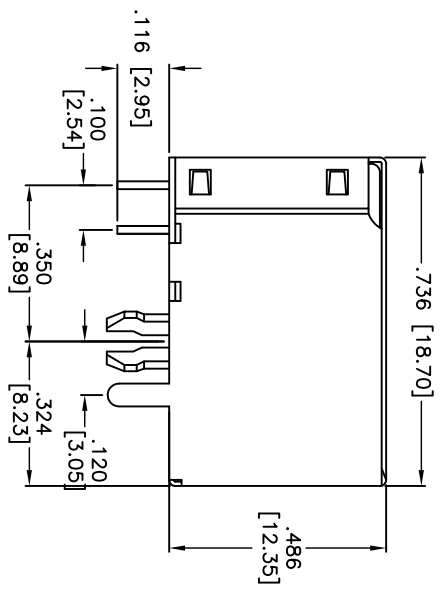
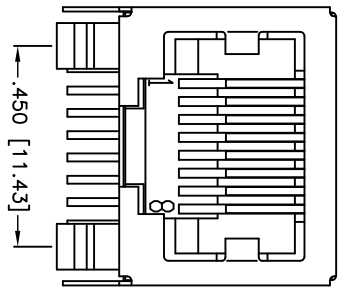


Rev	AWO #	Description	Date	Appr
-		RELEASED	1/15/10	

APPROVED: _____ TITLE: _____

DATE: _____



Specifications:

- Material: Insulator: PBT, rated UL 94V-0
- Contacts color: Black
- Shield: Brass, Nickel plated
- Plating: Gold over Nickel underplate on contact area, Tin over Copper underplate on PCB tails. (See Plating Chart)
- Electrical: Operating voltage: 125 VAC max
- Current rating: 1.5 Amps max
- Contact resistance: 35 mohms max
- Insulation resistance: 1000 Mohms min @ 500 VDC
- Dielectric withstanding voltage: 1000 VAC for 1 minute
- Temperature Rating: Operating temperature: -40°C to +85°C
- Environmental: Lead free, RoHS compliant.
- Recommended soldering temp: 235°C for 5 sec.

"X"	PLATING
0	15 uin Gold
1	30 uin Gold
2	50 uin Gold

UNLESS OTHERWISE SPECIFIED
ALL DIMENSIONS ARE INCHES [MM]
TOLERANCES: EXCEPT AS NOTED

INCHES	HOLES
X ± .10	ϕ X ± .10
.XX ± .020	ϕ XX ± .015
.XXX ± .015	ϕ XXX ± .010

APPROVALS

DATE	DATE

DRAWN: DY 1/15/10

CHECKED: _____

APPROVED: _____

ADAM TECH
909 Rahway Avenue, Union, NJ 07083
Phone: 908-687-5000 Fax: 908-687-5710

MODULAR TELEPHONE JACK, 8P8C
RIGHT ANGLE, PCB, SHIELDED, CAT 5e

SIZE: X PART NO.: MTJ-885X1-FSE-C5E

REF: S00005C SCALE: NTS SHEET 1 OF 1