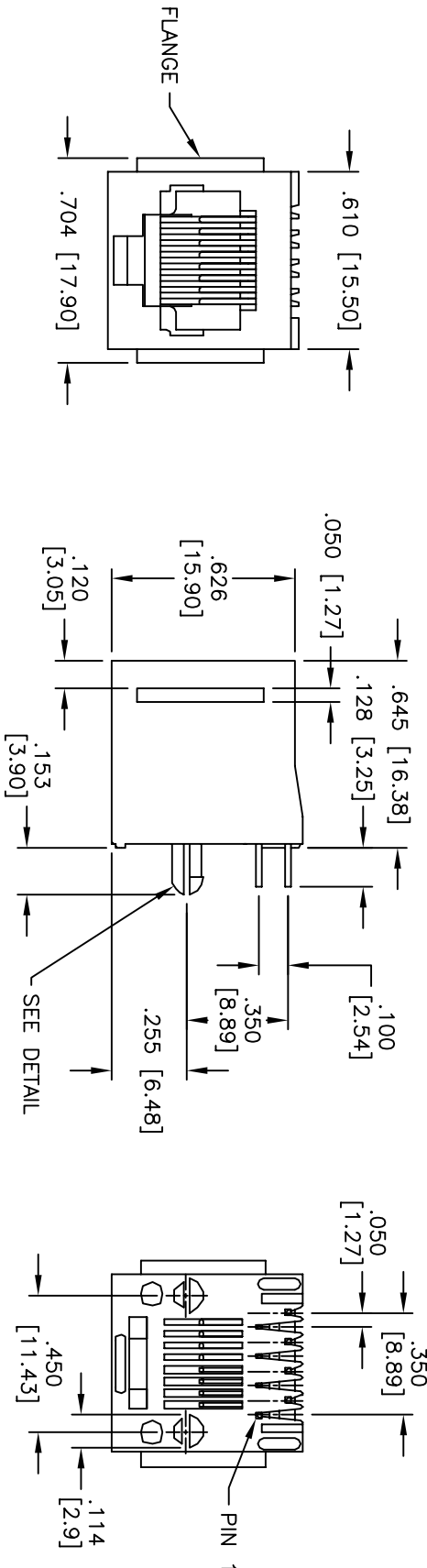
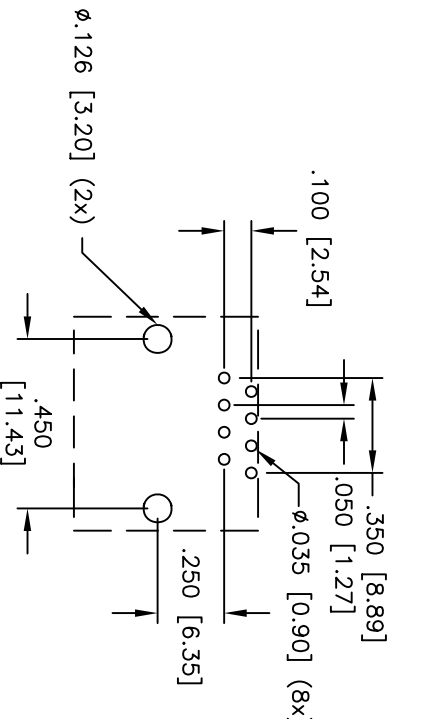
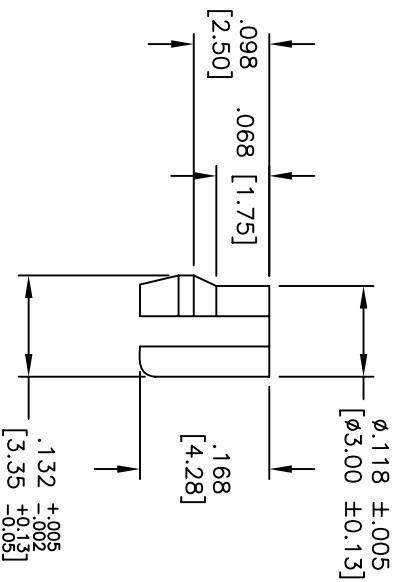


APPROVED: _____
 DATE: _____ TITLE: _____

Rev	AWO #	Description	Date	Appr
-		RELEASED	10/4/04	
A		ADDED PEG DETAIL	10/12/06	



X	PLATING
0	15 µin Gold
1	30 µin Gold
2	50 µin Gold



SPECIFICATIONS:

Material:
 Insulator: PBT, rated UL 94V-0
 Insulator color: Black
 Contacts: Phosphor Bronze
 Plating:
 Gold over Nickel underplate on contact area, Tin over Copper underplate on PCB tails

DETAIL

Electrical:
 Operating voltage: 150 VAC max
 Current rating: 1.5 Amps max
 Contact resistance: 20 mohms max
 Insulation resistance: 500 Mohms min @ 500 VDC
 Dielectric withstanding voltage: 1000 VAC for 1 minute

Temperature Rating:
 Operating temperature: -40°C to +125°C

Environmental:
 Lead free, RoHS compliant.
 Recommended soldering temp: 235°C for 5 sec.



ADAM TECH

909 Railway Avenue, Union, NJ 07083
 Phone: 908-687-5000 Fax: 908-687-5710

MODULAR TELEPHONE JACK, 8P8C
 RIGHT ANGLE, PCB

UNLESS OTHERWISE SPECIFIED ALL DIMENSIONS ARE IN INCHES [MM]	
TOLERANCES: EXCEPT AS NOTED	
INCHES	HILES
.X ±.10	ØXX ±.10
.XX ±.020	ØXXX ±.015
.XXX ±.015	ØXXXX ±.010
APPROVALS	DATE
DRAWN	SS
CHECKED	10/4/04
APPROVED	

TITLE	SIZE	PART NO.	REV.
MODULAR TELEPHONE JACK, 8P8C RIGHT ANGLE, PCB	X	MTJ-883X1	A
REF:	SCALE:	MKS	SHEET 1 OF 1