

6

5

4

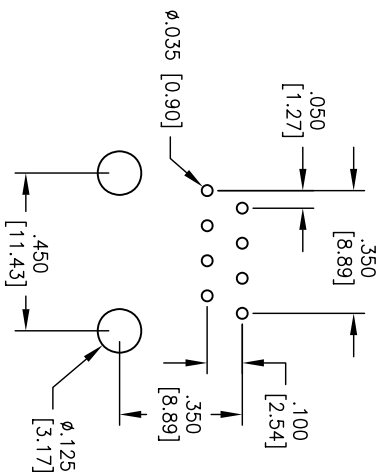
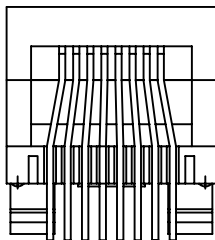
3

2

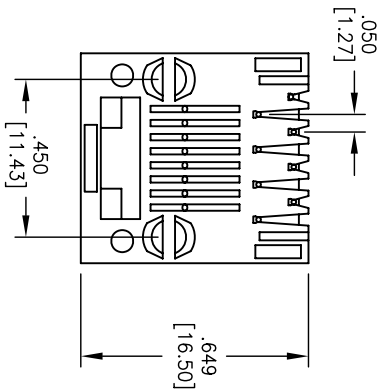
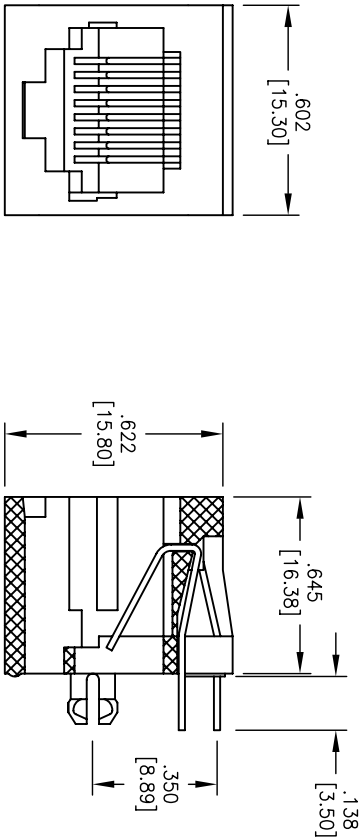
1

APPROVED: _____
 DATE: _____ TITLE: _____

Rev	AWO #	Description	Date	Appr
-		RELEASED	10/4/04	
A		RETOOLED	7/6/05	



RECOMMENDED
PCB LAYOUT



X	PLATING
0	15 µin Gold
1	30 µin Gold
2	50 µin Gold

SPECIFICATIONS:

Material:

Insulator: PBT, rated UL 94V-0
 Insulator color: Black

Contacts: Phosphor Bronze
 Plating:

Gold over Nickel underplate on contact area, Tin over Copper underplate on PCB tails

Electrical:

Operating voltage: 150 VAC max

Current rating: 1.5 Amps max

Contact resistance: 20 mohms max

Insulation resistance: 500 Mohms min @ 500 VDC

Dielectric withstanding voltage: 1000 VAC for 1 minute

Temperature Rating:

Operating temperature: -40°C to +125°C

Environmental:

Lead free, RoHS compliant.

Recommended soldering temp: 235 for 5 sec.



ADAM TECH

909 Rahway Avenue, Union, NJ 07083
 Phone: 908-687-5000 Fax: 908-687-5710

MODULAR TELEPHONE JACK, 8P8C
 VERTICAL, PCB, NO FLANGE

UNLESS OTHERWISE SPECIFIED ALL DIMENSIONS ARE INCHES [MM] TOLERANCES: EXCEPT AS NOTED	
X	± .10
.XX	± .020
.XXX	± .015
XXX	± .010
APPROVALS	
DRAWN	SS
CHECKED	
APPROVED	
DATE	10/4/04

TITLE	MODULAR TELEPHONE JACK, 8P8C VERTICAL, PCB, NO FLANGE	
SIZE	PART NO.	REV.
X	MTJ-883X1-N	A
REF:	SCALE: NTS	SHEET 1 OF 1

6

5

4

3

2

1