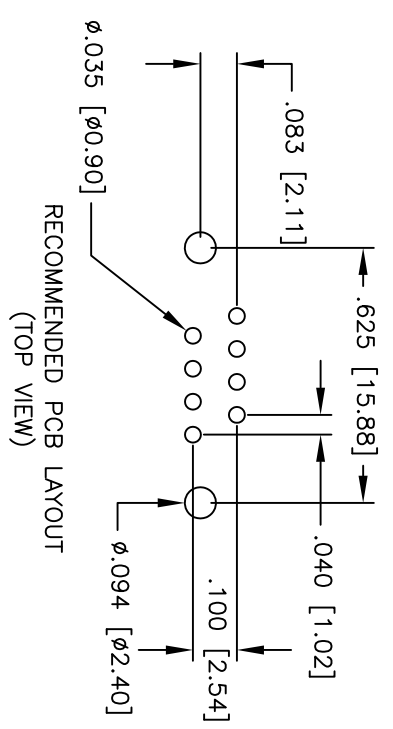
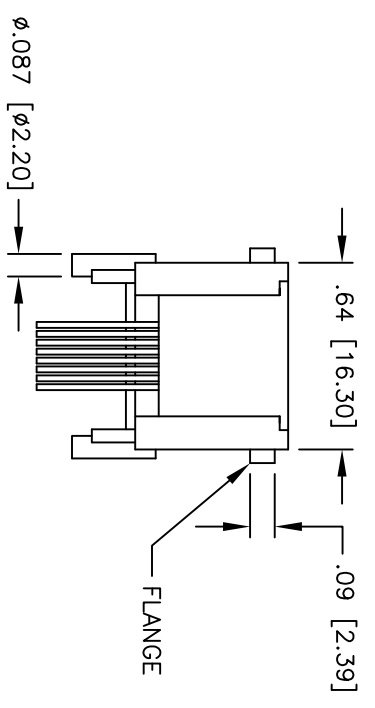
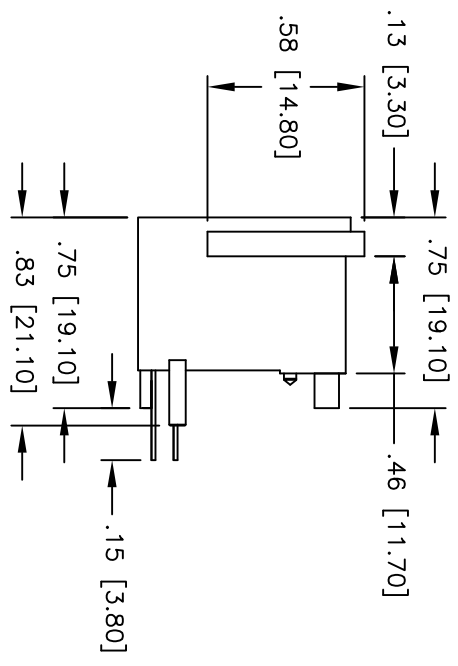
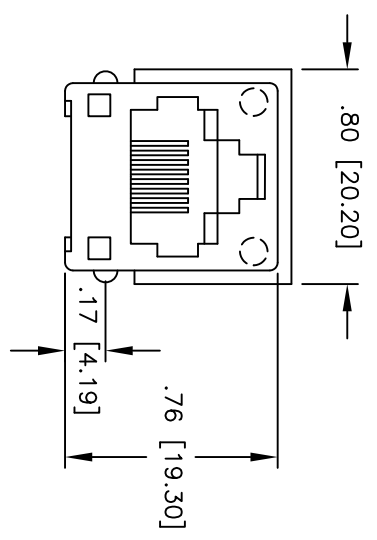


Rev	AWO #	Description	Date	Appr
-		RELEASED	8/28/09	

APPROVED: _____
 DATE: _____ TITLE: _____



X	PLATING
0	15 µin Gold
1	30 µin Gold
2	50 µin Gold

SPECIFICATIONS:
 Material: Insulator: PBT, rated UL 94V-0
 Insulator color: Black
 Contacts: Phosphor Bronze
 Plating: X u" Gold over Nickel underplate on tails (See chart)
 over Copper underplate on contact area, Tin
Electrical:
 Operating voltage: 125 VAC max
 Current rating: 1.5 Amps max
 Contact resistance: 35 mohms max
 Insulation resistance: 1000 Mohms min @ 500 VDC
 Dielectric withstanding voltage: 1000 VAC for 1 minute
Temperature Rating:
 Operating temperature: -40°C to +85°C
Environmental:
 Lead free, RoHS compliant.
 Recommended soldering temp: 235° for 5 sec.



ADAM TECH

909 Rahway Avenue, Union, NJ 07083
 Phone: 908-687-5000 Fax: 908-687-5710

MODULAR TELEPHONE JACK, 8P8C
 TOP ENTRY, PCB, COLOR BLACK

UNLESS OTHERWISE SPECIFIED ALL DIMENSIONS ARE INCHES [MM]		TOLERANCES EXCEPT AS NOTED	
INCHES		HOLDS	
.X	± .10	ØX	± .10
.XX	± .020	ØXXX	± .015
.XXX	± .015	ØXXXX	± .010
APPROVALS		DATE	
DRAWN	DY	8/28/09	
CHECKED			
APPROVED			
TITLE		SIZE	PART NO.
MODULAR TELEPHONE JACK, 8P8C		X	MTJ-883AX1-150
TOP ENTRY, PCB, COLOR BLACK		SCALE:	NTS
REV.		SHEET 1 OF 1	