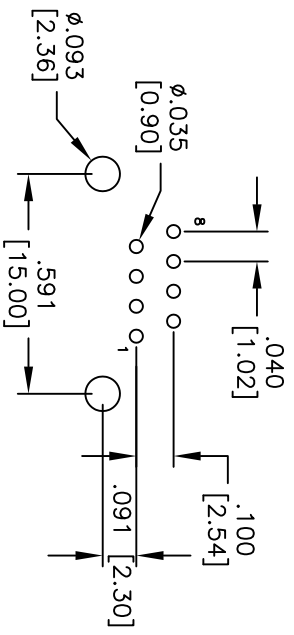
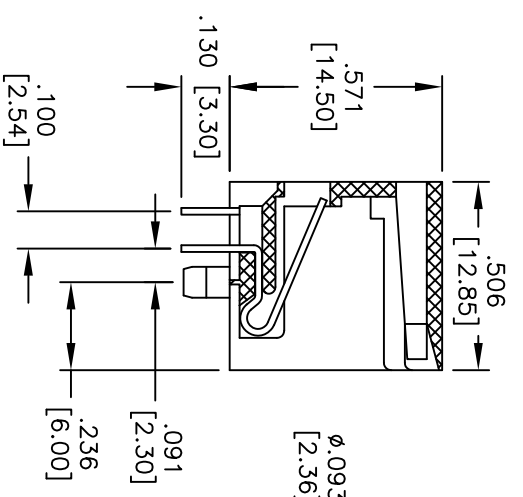
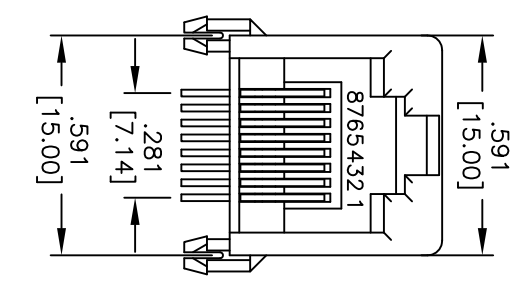
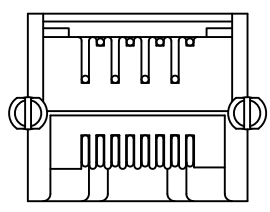


Rev	AWO #	Description	Date	Appr
-		RELEASED	8/24/09	

APPROVED: _____
 DATE: _____ TITLE: _____



RECOMMENDED PCB LAYOUT

X	PLATING
0	15 µin Gold
1	30 µin Gold
2	50 µin Gold

SPECIFICATIONS:

Material: Insulator: Hi-temp Nylon, rated UL 94V-0
 Insulator color: Black
 Contacts: Phosphor Bronze
 Plating: X u" Gold over Nickel underplate on tails (See chart)
 over Copper underplate on contact area, Tin

Electrical:

Operating voltage: 125 VAC max
 Current rating: 1.5 Amps max
 Contact resistance: 35 mohms max
 Insulation resistance: 1000 Mohms min @ 500 VDC
 Dielectric withstanding voltage: 1000 VAC for 1 minute
 Temperature Rating: Operating temperature: -40°C to +85°C

Environmental:

Lead free, RoHS compliant.
 Recommended soldering temp: 260° for 5 sec.



ADAM TECH

909 Rahway Avenue, Union, NJ 07083
 Phone: 908-687-5000 Fax: 908-687-5710

MODULAR TELEPHONE JACK, 8P8C
 RIGHT ANGLE, PCB, COLOR BLACK

UNLESS OTHERWISE SPECIFIED ALL DIMENSIONS ARE IN INCHES [MM]	
TOLERANCES: EXCEPT AS NOTED	
INCHES	HOLDS
.X ± .10	ØX ± .10
.XX ± .020	ØXX ± .015
.XXX ± .015	ØXXX ± .010
APPROVALS	DATE
DRAWN DY	8/24/09
CHECKED	
APPROVED	

SIZE	PART NO.	REV.
X	MTJ-882BX1-HT	-
REF: S00068T	SCALE: NTS	SHEET 1 OF 1