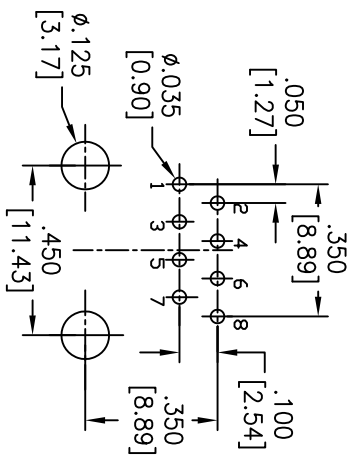
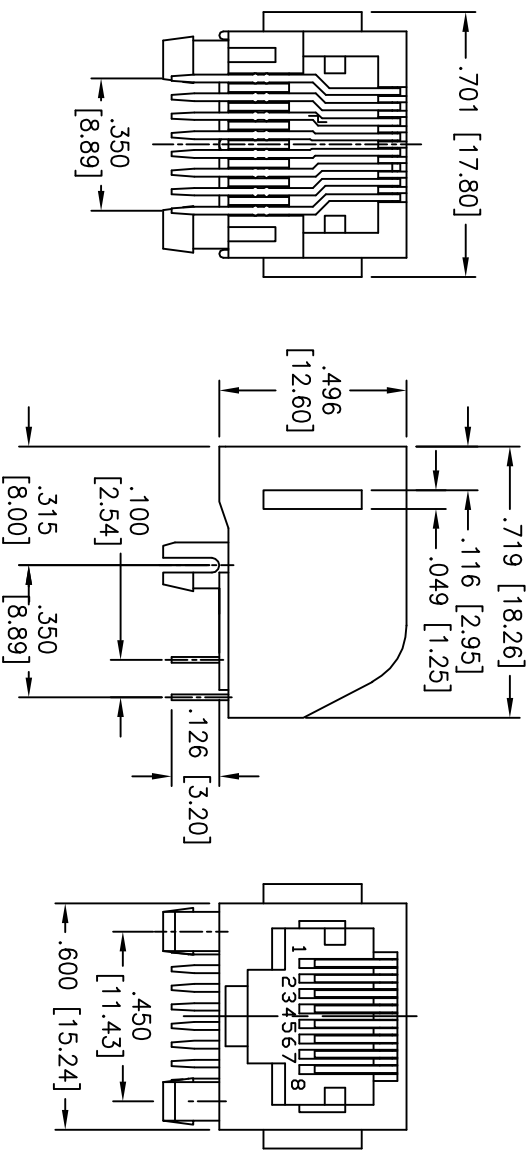


Rev	AWO #	Description	Date	Appr
-		RELEASED	10/15/10	

APPROVED: _____
 DATE: _____ TITLE: _____



X	PLATING
0	15 u" Gold
1	30 u" Gold
2	50 u" Gold

SPECIFICATIONS:

Material: Insulator: PBT, rated UL 94V-0

Insulator color: Red, P485

Contacts: Phosphor Bronze

Plating: Gold over Nickel underplate on contact area, Tin over Copper underplate on PCB tails

Electrical: Operating voltage: 125 VAC max
 Current rating: 1.5 Amps max
 Contact resistance: 45 mohms max
 Insulation resistance: 1000 Mohms min @ 500 VDC
 Dielectric withstanding voltage: 1000 VAC for 1 minute

Temperature Rating: Operating temperature: -40°C to +85°C
 Environmental: Lead free, RoHS compliant.
 Recommended soldering temp: 235°C for 5 sec.



ADAM TECH

909 Railway Avenue, Union, NJ 07083
 Phone: 908-687-5000 Fax: 908-687-5710

MODULAR TELEPHONE JACK, 8P8C
 RIGHT ANGLE, PCB, INSULATOR COLOR RED

UNLESS OTHERWISE SPECIFIED ALL DIMENSIONS ARE INCHES [MM] TOLERANCES: EXCEPT AS NOTED INCHES		HOLE		DATE	
.XX	± .10	ØXX	± .10	DATE	
.XX	± .020	ØXXX	± .015		
.XXX	± .015	ØXXX	± .010		
DRAWN		DY	10/15/10	TITLE	
CHECKED				MODULAR TELEPHONE JACK, 8P8C	
APPROVED				RIGHT ANGLE, PCB, INSULATOR COLOR RED	
SIZE	PART NO.	SCALE	SHEET	REV.	
X	MTJ-880X1-P485C	NTS	1 OF 1		
REF:	S00005C				