

6

5

4

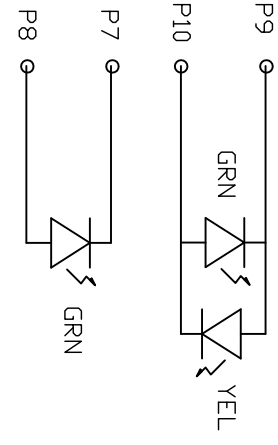
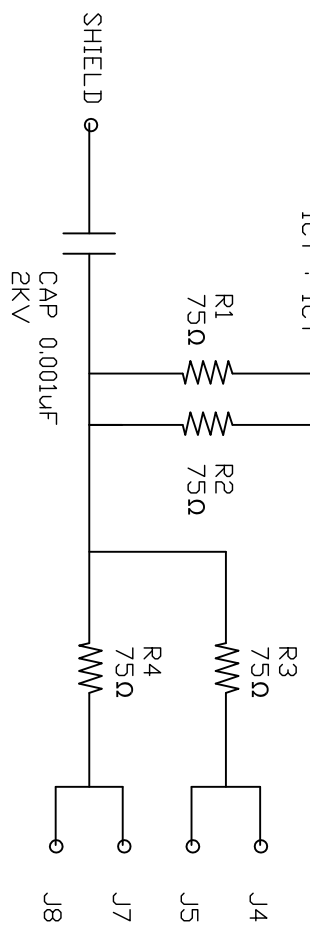
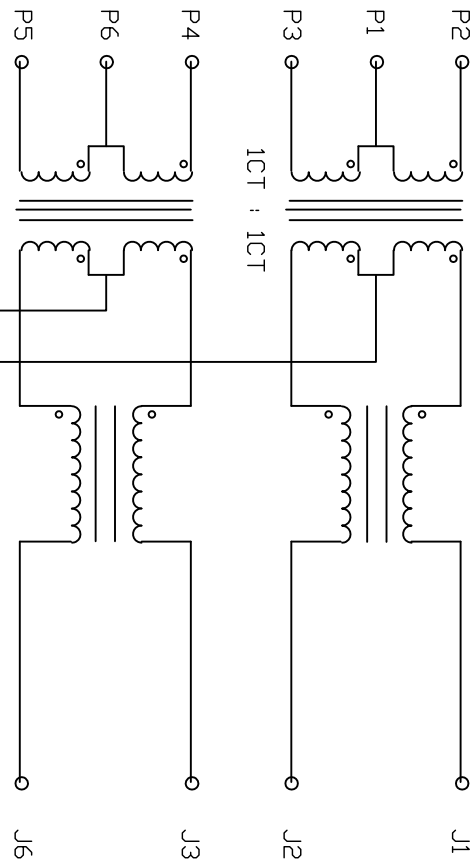
3

2

1

Rev	AWO #	Description	Date	Appr
		SEE SHT 1 OF 2 FOR REVISION		

APPROVED: _____
 DATE: _____ TITLE: _____



- 2.0 INDUCTANCE: (P2 ~ P3)
(P4 ~ P5) 350uH MIN @ 0.1V, 100KHZ, 8mA DC BIAS
350uH MIN @ 0.1V, 100KHZ, 8mA DC BIAS
- 3.0 LEAKAGE INDUCTANCE: P2 ~ P3 (WITH J1 AND J2 SHORT)
P4 ~ P5 (WITH J3 AND J6 SHORT) :0.3uH MAX @ 1MHZ
:0.5uH MAX @ 1MHZ
- 4.0 INTERWINDING CAPACITANCE: (P2~P3) : (J1~J2) :35pF MAX @ 1MHZ
(P4~P5) : (J3~J6) :35pF MAX @ 1MHZ
- 5.0 DC RESISTANCE: (J1~J2):(J3~J6): 1.2 OHMS MAX
- 6.0 RETURN LOSS: 1MHZ TO 30MHZ : -18db MIN
30MHZ TO 80MHZ : -12db MIN
- 7.0 DIELECTRIC WITHSTAND: (P2~P3) : (J1~J2) :1500VAC
(P4~P5) : (J3~J6) :1500VAC
- 8.0 INSERTION LOSS: RS=RL=100OHM 100KHZ TO 80MHZ : -1.1db MIN
- 9.0 RISE TIME : RS=100 OHMS AND RL=1000OHMS :3.0NS MAX
OUTPUT VOLTAGE = 1V PEAK :3.0NS MAX
PULSE WIDTH=112NS
- 10.0 CROSS TALK: 1MHZ TO 100MHZ 40db TYP
- 11.0 COMMON TO COMMON MODE ATTENUATION: 30MHZ TO 100MHZ :35db TYP

UNLESS OTHERWISE SPECIFIED
 ALL DIMENSIONS ARE MM [INCHES]
 TOLERANCES: EXCEPT AS NOTED
 INCHES HOLEES

.X	± .10	ØXX	± .10
.XX	± .020	ØXXX	± .015
.XXX	± .015	ØXXXX	± .010

APPROVALS _____ DATE _____
 DRAWN _____ SS 4/30/10
 CHECKED _____
 APPROVED _____

ADAM TECH
 909 Rahway Avenue, Union, NJ 07083
 Phone: 908-687-5000 Fax: 908-687-5710

TITLE: MODULAR TEL JACK, 8P6C, MAGNETICS
 RIGHT ANGLE, PCB

SIZE PART NO. REV.
 X MTJ-86SAX1-FSP-1PG6-LU-M41

SCALE: NTS SHEET 2 OF 2

6

5

4

3

2

1