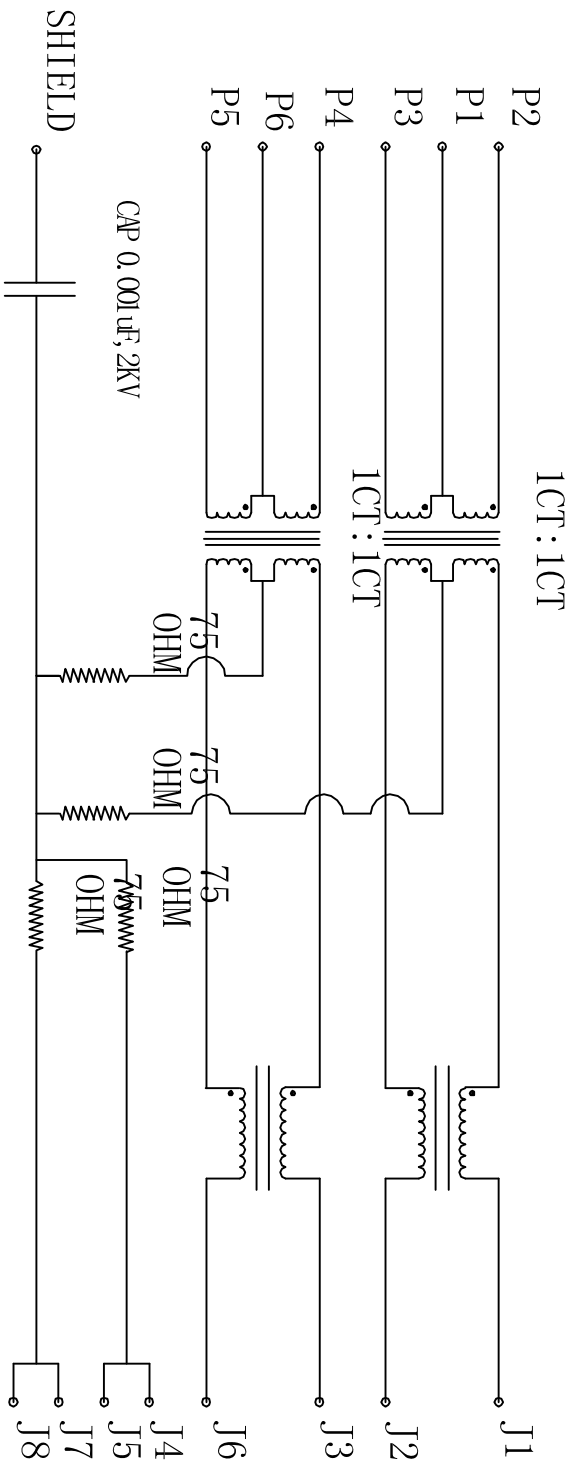


Rev	AWO #	Description	Date	Appr
		SEE SHT 1 OF 2 FOR REVISION		

APPROVED: _____

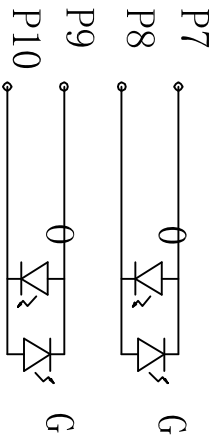
DATE: _____ TITLE: _____

D



C

B



ELECTRICAL SPECIFICATIONS:

- Turns Ratio: (P2 ~ P3) : (J1 ~ J2) 1:1 ±3%
(P4 ~ P5) : (J3 ~ J6) 1:1 ±3%
- Inductance: (P2 ~ P3) 350uH min. @ 0.1V, 100KHZ, 8mA DC Bias
(P4 ~ P5) 350uH min. @ 0.1V, 100KHZ, 8mA DC Bias
- Leakage Inductance: P2 ~ P3 (with J1 and J2 Short): 0.35uH Max. @ 1 MHZ
P4 ~ P5 (with J3 and J6 Short): 0.35uH Max. @ 1 MHZ
- Interwinding Capacitor: (P2 ~ P3) : (J1 ~ J2): 35pF max @ 1MHZ
(P4 ~ P5) : (J3 ~ J6): 35pF max @ 1MHZ
- DC Resistance: (J1 ~ J2) : (J3 ~ J6): 1.2 Ohms Max.
- Return Loss: 1MHZ to 30MHZ: -18dB min / 30MHZ to 80MHZ: -12dB min
- Dielectric Withstanding: (P2~P3) : (J1~J2): (P4~P5) : (J3~J6) : 1500V AC
- Insertion Loss: RS=RL=100OHM : 100KHZ TO 80MHZ : -1.2dB Min.
- Cross Talk: 1MHZ to 100MHZ: 35dB Typ.
- Common to Common mode Attenuation 30MHZ to 100MHZ: 30dB Typ.

ADAM TECH

909 Ratway Avenue, Union, NJ 07083
Phone: 908-687-5000 Fax: 908-687-5710

MODULAR JACK GANGED, 1 PORT, 8P6C
W/ LED1 ORN/GRN, LED2 ORN/GRN

UNLESS OTHERWISE SPECIFIED
ALL DIMENSIONS ARE INCHES [MM]
TOLERANCES: EXCEPT AS NOTED
INCHES HOLES
.X ± .10 Ø.X ± .10
.XX ± .020 Ø.XX ± .015
.XXX ± .015 Ø.XXX ± .010

APPROVALS

DATE

DRAWN DY 8/27/09

CHECKED

APPROVED

SIZE PART NO. REV.

X MTJ-86SAX1-FSP-PG-LM41 -

REF: S00005C SCALE: NTS SHEET 2 OF 2