

6

5

4

3

2

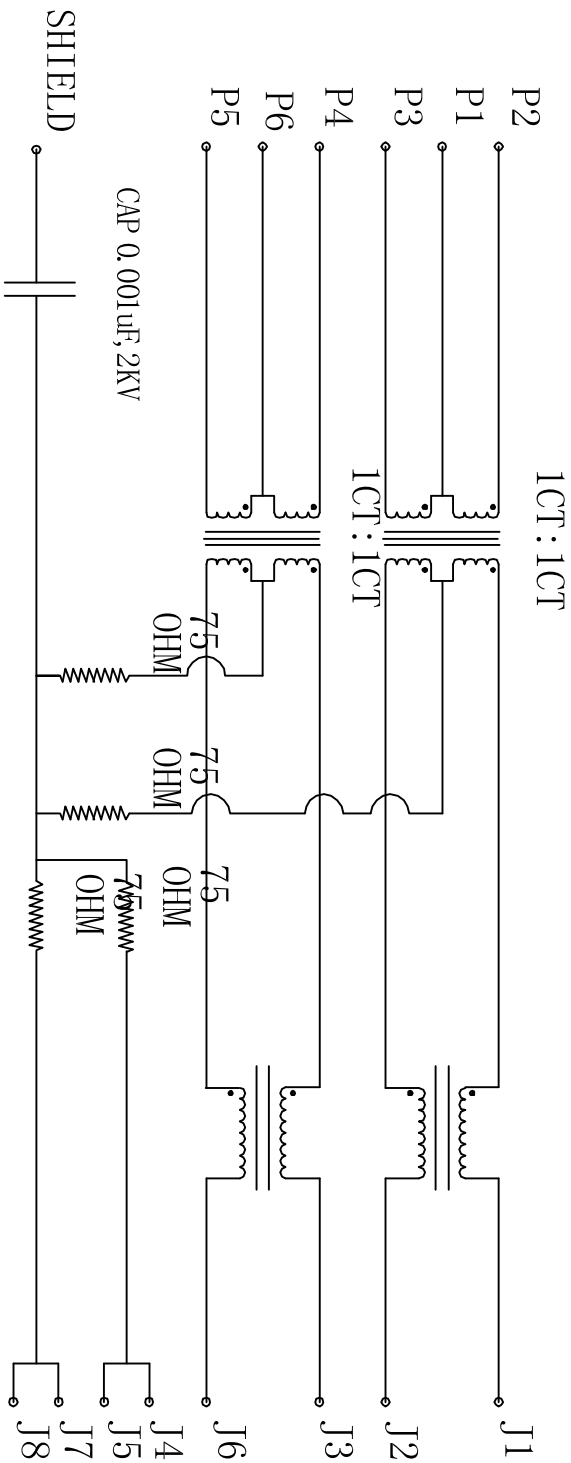
1

Rev	AWO #	Description	Date	Appr
		SEE SHT 1 OF 2 FOR REVISION		

APPROVED: _____

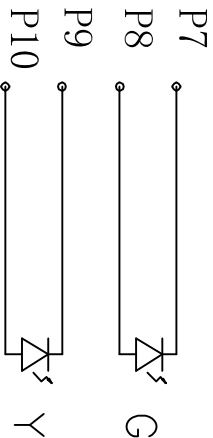
DATE: _____ TITLE: _____

D



C

B



ELECTRICAL SPECIFICATIONS:

- Turns Ratio: (P2 ~ P3) : (J1 ~ J2) 1:1 ±3%
(P4 ~ P5) : (J3 ~ J6) 1:1 ±3%
- Inductance: (P2 ~ P3) 350uH min. @ 0.1V, 100KHZ, 8mA DC Bias
(P4 ~ P5) 350uH min. @ 0.1V, 100KHZ, 8mA DC Bias
- Leakage Inductance: P2 ~ P3 (with J1 and J2 Short): 0.35uH Max. @ 1 MHZ
P4 ~ P5 (with J3 and J6 Short): 0.35uH Max. @ 1 MHZ
- Interwinding Capacitance: (P2 ~ P3) : (J1 ~ J2): 35pF max. @ 1MHZ
(P4 ~ P5) : (J3 ~ J6): 35pF max @ 1MHZ
- DC Resistance: (J1 ~ J2) : (J3 ~ J6): 1.2 Ohms Max.
- Return Loss: 1MHZ to 30MHZ: -18dB min / 30MHZ to 80MHZ: -12dB min
- Dielectric Withstanding: (P2~P3) : (J1~J2): (P4~P5) : (J3~J6) : 1500V AC
- Insertion Loss: RS=RL=100OHM : 100KHZ TO 80MHZ : -1.2dB Min.
- Cross Talk: 1MHZ to 100MHZ: 35dB Typ.
- Common to Common mode Attenuation 30MHZ to 100MHZ: 30dB Typ.

6

5

4

3

2

1

UNLESS OTHERWISE SPECIFIED ALL DIMENSIONS ARE INCHES [MM]	
TOLERANCES: EXCEPT AS NOTED	
INCHES	HOLES
.X ± .10	Ø.X ± .10
.XX ± .020	Ø.XXX ± .015
.XXX ± .015	Ø.XXX ± .010
APPROVALS	DATE
DRAWN	DY
CHECKED	2/05/10
APPROVED	

ADAM TECH
 909 Ratway Avenue, Union, NJ 07083
 Phone: 908-687-5000 Fax: 908-687-5710

MODULAR JACK GANGED, 1 PORT, 8P6C
W/ LED1 YELLOW, LED2 GREEN

TITLE	SIZE	PART NO.	REV.
MODULAR JACK GANGED, 1 PORT, 8P6C	X	MT-J-86SAX1-F-SP-PG-LG-M41	
REF: S00005C	SCALE:	NTS	SHEET 2 OF 2