

6

5

4

3

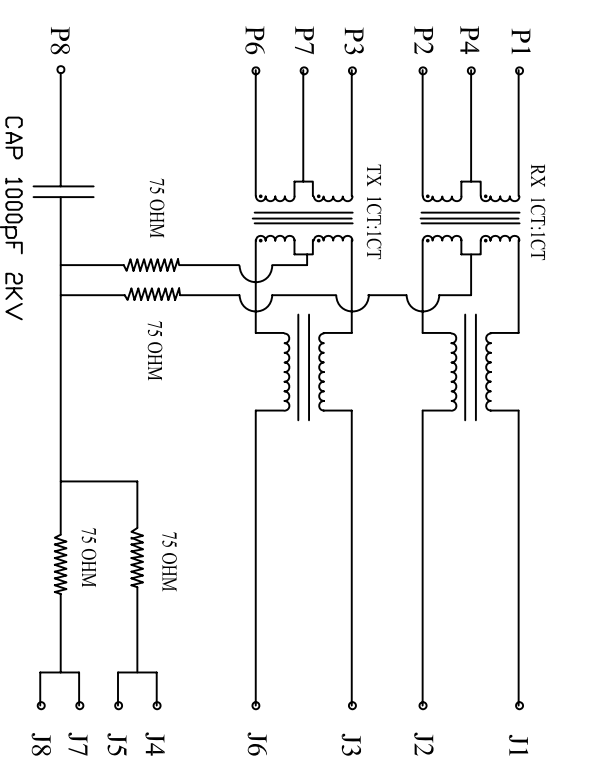
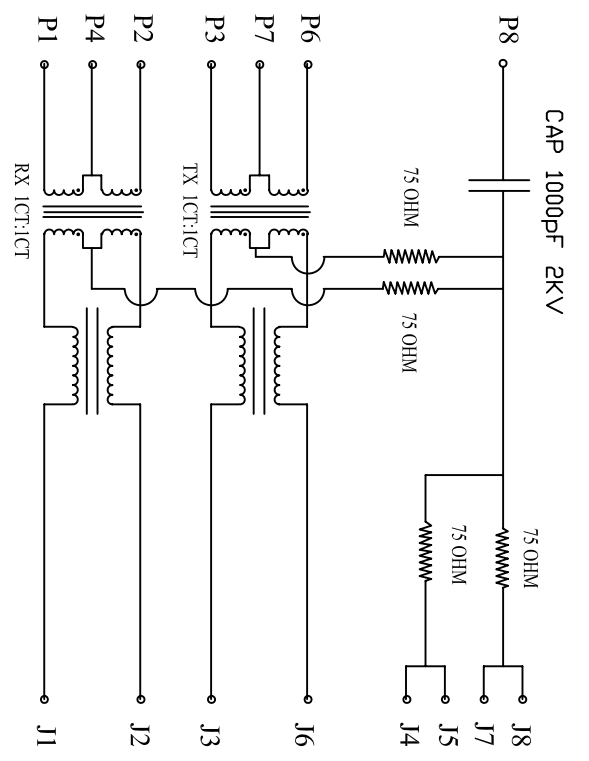
2

1

Rev	AWO #	Description	Date	Appr
		SEE SHT 1 OF 2 FOR REVISION		

APPROVED: \_\_\_\_\_

DATE: \_\_\_\_\_ TITLE: \_\_\_\_\_



Specifications :

SPECIFICATION	RATING
1 TURNS RATIO (P1 ~ P2) : (J1 ~ J2) (P3 ~ P) : (J3 ~ J6)	ICT : ICT±3% ICT : ICT±3%
2 LEAKAGE INDUCTANCE: P1-P8 (w/ J1 & J2 SHORTED) P2-P9 (w/ J3 & J6 SHORTED)	0.3 uH MAX. @ 1MHZ 0.3 uH MAX. @ 1MHZ
3 INTERWINDING CAPACITANCE (P1-P2) : (J1 ~ J2) (P3 ~ P6) : (J3 ~ J6)	35pF MAX. @ 1MHZ 35pF MAX. @ 1MHZ
4 DC RESISTANCE: (J1-J2) : (J3-J6)	1.2 ohms MAX.
5 RETURN LOSS: 1MHZ TO 30MHZ 30MHZ TO 80MHZ	-18dB MIN. -12dB MIN.
6 DIELECTRIC WITHSTAND: (P1 ~ P2) : (J1 ~ J2) (P3 ~ P6) : (J3 ~ J6)	1500 VAC 1500 VAC
7 INSERTION LOSS: RS = RL = 1000ohms 100KHz TO 80MHZ	-1.1 DB TYP.
8 RISE TIME: RS=1000ohms AND RL=1000ohms OUTPUT VOLTAGE = 1V peak PULSE WIDTH=12ns	3.0ns MAX. 3.0ns MAX.
9 CROSS TALK: 1MHZ TO 100MHZ	40dB TYP.
10 COMMON TO COMMON MODE ATTENUATION: 30MHZ - 100MHZ	35dB TYP.

**ADAM TECH**

909 Rahway Avenue, Union, NJ 07083  
Phone: 908-687-5000 Fax: 908-687-5710

MODULAR TELEPHONE JACK, GANGED  
8 PORT, 8P8C, SHIELDED, W/ MAGNETICS

UNLESS OTHERWISE SPECIFIED ALL DIMENSIONS ARE MM [INCHES] TOLERANCES: EXCEPT AS NOTED		TITLE	
.X ± .10	ØXX ± .10	MODULAR TELEPHONE JACK, GANGED	
.XX ± .020	ØXXX ± .015	8 PORT, 8P8C, SHIELDED, W/ MAGNETICS	
.XXX ± .015	ØXXX ± .010		
DRAWN	SS	DATE	1/10/06
CHECKED		SIZE	X
APPROVED		PART NO.	MTJG-8-88JX1-FSG-PG-M14
		SCALE:	NTS
		SHEET	2 OF 2

6

5

4

3

2

1