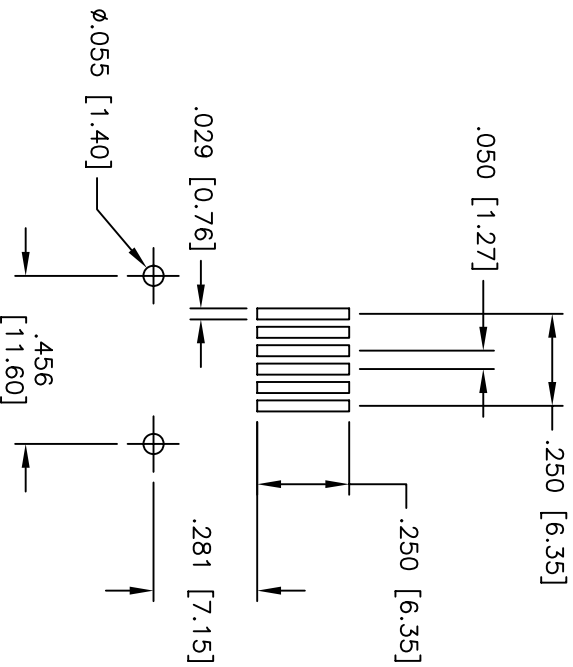
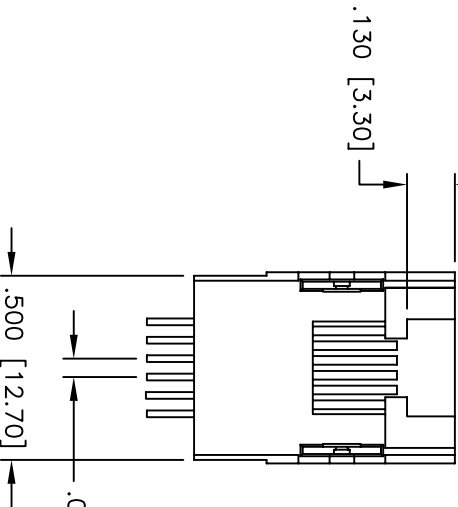
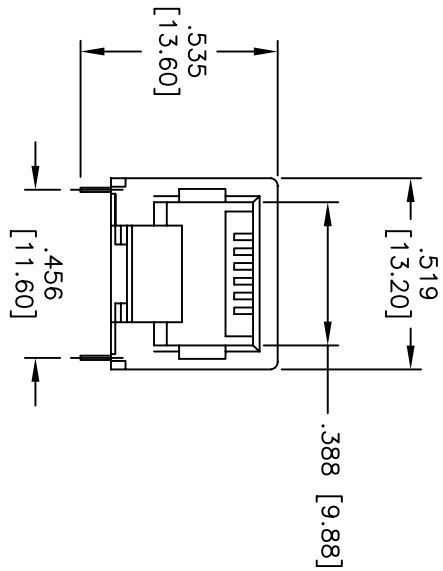
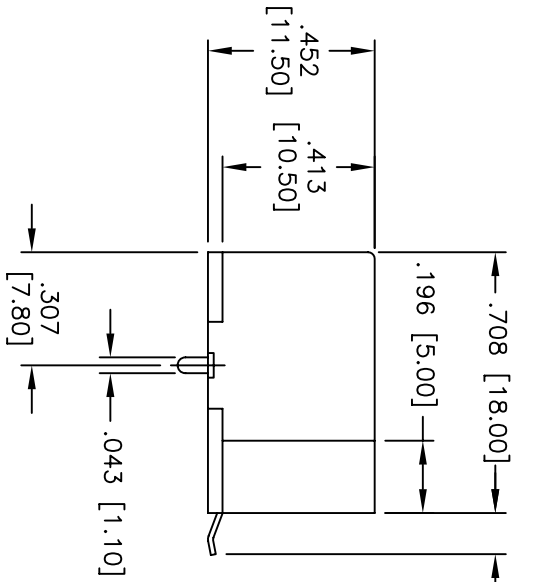


Rev	AWO #	Description	Date	Appr
-	7129	RELEASED	7/5/07	

APPROVED: _____
 DATE: _____ TITLE: _____



RECOMMENDED
PCB LAYOUT

SPECIFICATIONS:

Material:
 Insulator: (Nylon-46) rated 94V-0, color Black
 Contacts: Phosphor Bronze
 Plating: .0000030 Gold over Nickel underplate on contact area, 50u" Tin over 50 µin min nickel underplate on tails.
Electrical:
 Operation voltage: 125 VAC max
 Current rating: 1.5 Amps max
 Contact resistance: 10 Mohm max
 Insulation resistance: 500 Mohm min @ 500 VDC
 Dielectric withstanding voltage: 1000 VAC min rms
Environmental:
 Operating temperature: 40°C to 70°C
 Lead free, RoHS compliant.
 Recommended soldering temp: 260°C for 5 sec.

PACKAGED ON TAPE AND REEL

ADAM TECH

909 Railway Avenue, Union, NJ 07083
 Phone: 908-687-5000 Fax: 908-687-5710

TITLE: TELEPHONE JACK, SMT, SIDE ENTRY,
 6P6C, TAPE AND REEL

UNLESS OTHERWISE SPECIFIED ALL DIMENSIONS ARE MM [INCHES] TOLERANCES: EXCEPT AS NOTED	
INCHES	HOLDS
.X ±.10	ØXX ±.10
.XX ±.020	ØXXX ±.015
.XXX ±.015	ØXXX ±.010
APPROVALS	DATE
DRAWN	SS
CHECKED	7/5/07
APPROVED	

SIZE	PART NO.	REV.
X	MTJ-66YX1-SMT-T/R	-
REF:	SCALE: NTS	SHEET 1 OF 1

