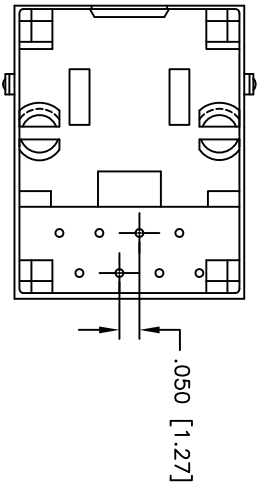
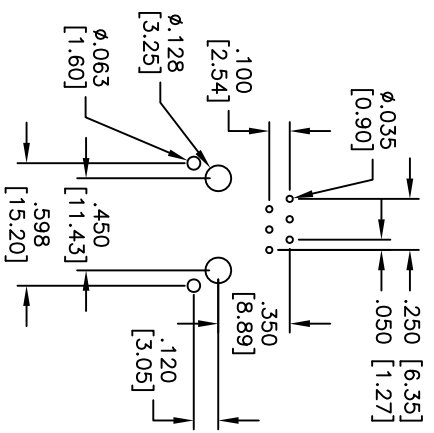
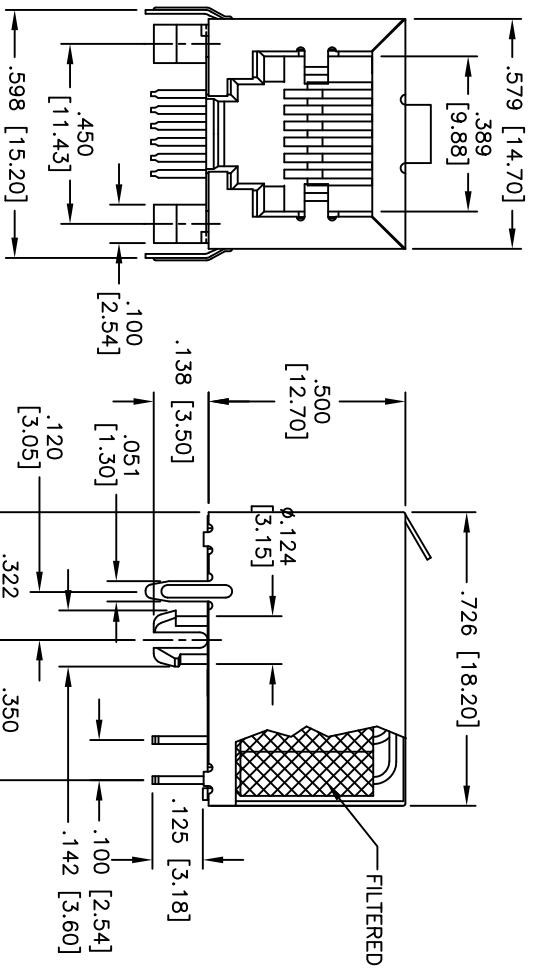


Rev	AWO #	Description	Date	Appr
-		RELEASED	5/19/10	

APPROVED: _____
 DATE: _____ TITLE: _____



X	PLATING
0	15 µin Gold
1	30 µin Gold
2	50 µin Gold

RECOMMENDED PCB LAYOUT

SPECIFICATIONS:

- Material:** Insulator: PBT, glass reinforced, rated UL 94V-0
- Insulator color:** Black
- Contacts:** Phosphor Bronze
- Shield:** Copper Alloy, Nickel plated
- Plating:** Gold over Nickel underplate on contact area, Tin over Copper underplate on PCB tails (See chart for thickness)

- Electrical:** Operating voltage: 150 VAC max
- Current rating: 1.5 Amps max
- Contact resistance: 20 mohms max
- Insulation resistance: 500 Mohms min @ 500 VDC
- Dielectric withstanding voltage: 1000 VAC for 1 minute
- Temperature Rating: Operating temperature: -40°C to +125°C

- Environmental:** Lead free, RoHS compliant.
- Recommended soldering temp: 235°C for 5 sec.



ADAM TECH

909 Rahway Avenue, Union, NJ 07083
 Phone: 908-687-5000 Fax: 908-687-5710

MODULAR TELEPHONE JACK, 6P6C
 R/A, FERRITE FILTERED, FULL SHIELD

UNLESS OTHERWISE SPECIFIED ALL DIMENSIONS ARE INCHES [MM]	
TOLERANCES: EXCEPT AS NOTED	
INCHES	HOLDS
.X ± .10	± .10
.XX ± .020	± .015
.XXX ± .015	± .010
APPROVALS	DATE
DRAWN	DY
CHECKED	
APPROVED	
5/19/10	

SIZE	PART NO.	REV.
X	MTJ-66MX1-FSE-PG	-
REF: S00065T	SCALE: NTS	SHEET 1 OF 1