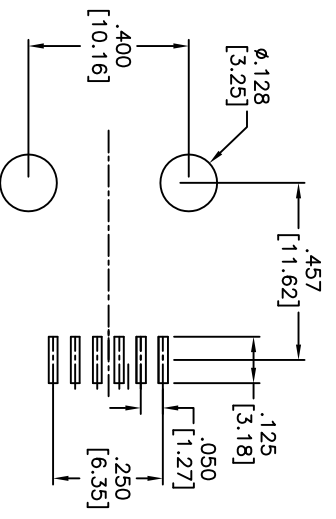
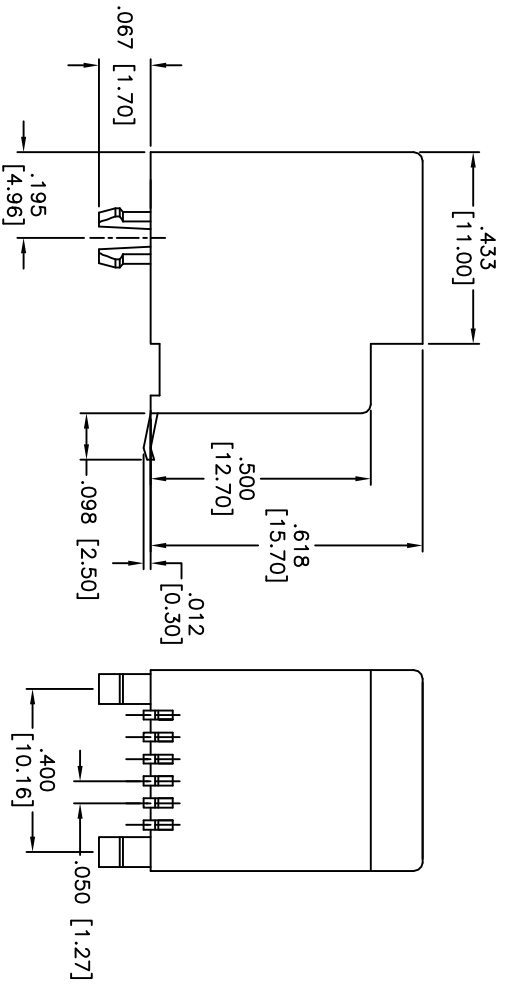
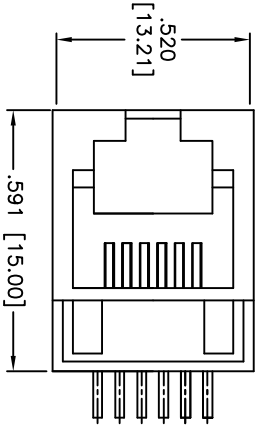


Rev	AWO #	Description	Date	Appr
-	10368	RELEASED	6/24/10	

APPROVED: _____
 DATE: _____ TITLE: _____



RECOMMENDED PCB LAYOUT
(TOP VIEW)

X	PLATING
0	15 µin Gold
1	30 µin Gold
2	50 µin Gold

SPECIFICATIONS:

Material: Insulator: Hi-temp thermoplastic, rated UL 94V-0

Insulator color: Black
 Contacts: Phosphor Bronze

Plating: Gold over Nickel underplate on contact area,
 Tin over Copper underplate on tails.
 (See chart for thickness)

Electrical:
 Operating voltage: 125 VAC max
 Current rating: 1.5 Amps max
 Contact resistance: 45 mohms max
 Insulation resistance: 1,000 Mohms min @ 500 VDC
 Dielectric withstanding voltage: 1000 VAC for 1 minute

Temperature Rating:
 Operating temperature: -40°C to +85°C

Environmental:
 Lead free, RoHS compliant.

Recommended soldering temp: 260°C for 5 sec.



UNLESS OTHERWISE SPECIFIED
 ALL DIMENSIONS ARE INCHES [MM]
 TOLERANCES: EXCEPT AS NOTED
 INCHES: .X ±.10 Ø.X ±.015
 .XX ±.020 Ø.XX ±.010
 .XXX ±.015 Ø.XXX ±.010
 APPROVALS: _____ DATE: _____

ADAM TECH

909 Rahway Avenue, Union, NJ 07083
 Phone: 908-687-5000 Fax: 908-687-5710

MODULAR TELEPHONE JACK, 6P6C
 TOP ENTRY, SMT TYPE

DRAWN	DY	6/24/10
CHECKED		
APPROVED		

SIZE	PART NO.	REV.
X	MTJ-66XX1	-
REF: S00156T	SCALE: NTS	SHEET 1 OF 1