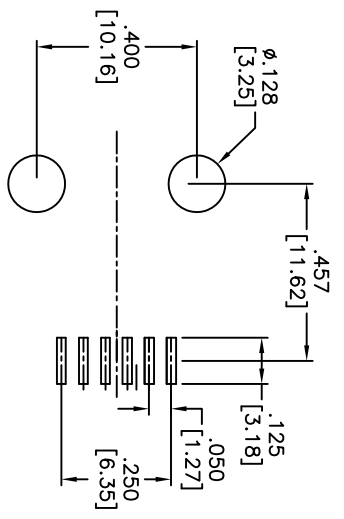
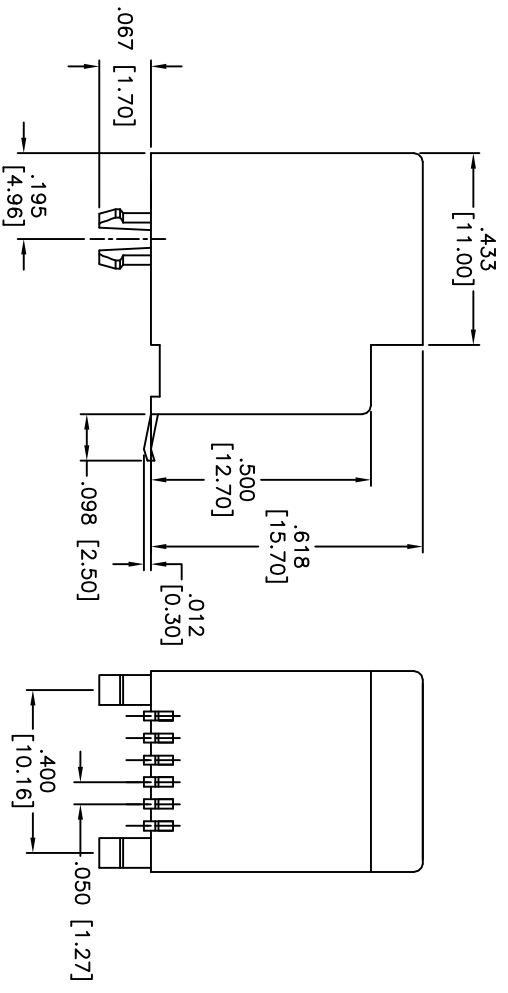
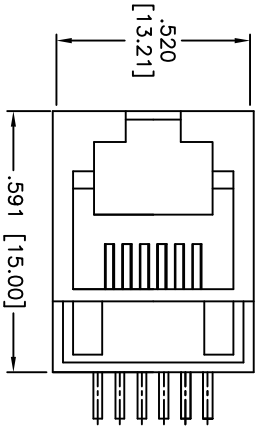


Rev	AWO #	Description	Date	Appr
-		RELEASED	9/29/10	

APPROVED: _____
 DATE: _____ TITLE: _____



RECOMMENDED PCB LAYOUT
(TOP VIEW)

PACKAGED ON TAPE & REEL

X	PLATING
0	15 µin Gold
1	30 µin Gold
2	50 µin Gold

SPECIFICATIONS:

Material: Insulator: Hi-temp thermoplastic, rated UL 94V-0

Insulator color: Black

Contacts: Phosphor Bronze

Plating: Gold over Nickel underplate on contact area, Tin over Copper underplate on tails.

(See chart for thickness)

Electrical:

Operating voltage: 125 VAC max

Current rating: 1.5 Amps max

Contact resistance: 45 mohms max

Insulation resistance: 1,000 Mohms min @ 500 VDC

Dielectric withstanding voltage: 1000 VAC for 1 minute

Temperature Rating: Operating temperature: -40°C to +85°C

Environmental: Lead free, RoHS compliant. Recommended soldering temp: 260°C for 5 sec.



UNLESS OTHERWISE SPECIFIED
 ALL DIMENSIONS ARE INCHES [MM]
 TOLERANCES: EXCEPT AS NOTED
 INCHES HOLEES
 .X ±.10 ØXX ±.10
 .XX ±.020 ØXXX ±.015
 .XXX ±.015 ØXXXX ±.010
 APPROVALS DATE

ADAM TECH

909 Railway Avenue, Union, NJ 07083
 Phone: 908-687-5000 Fax: 908-687-5710

TITLE: MODULAR TELEPHONE JACK, 6P9C
 TOP ENTRY, SMT TYPE

DRAWN	AY	9/29/10	SIZE	PART NO.	REV.
CHECKED	VW	9/29/10	X	MTJ-66KX1-T/R	-
APPROVED			REF: S00166T	SCALE: NTS	SHEET 1 OF 1