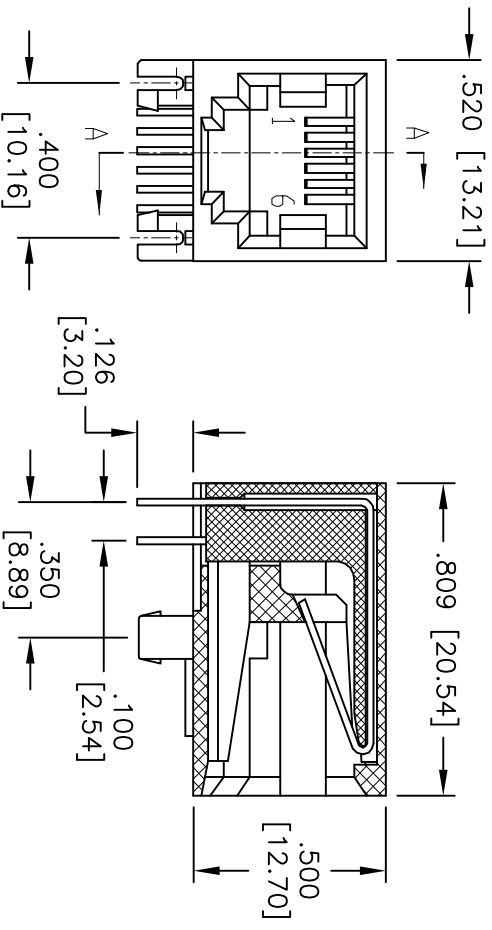
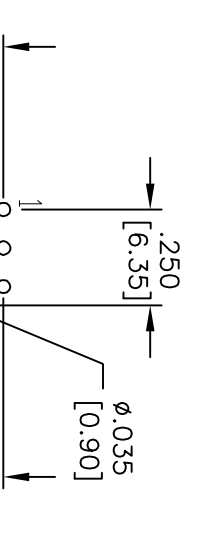
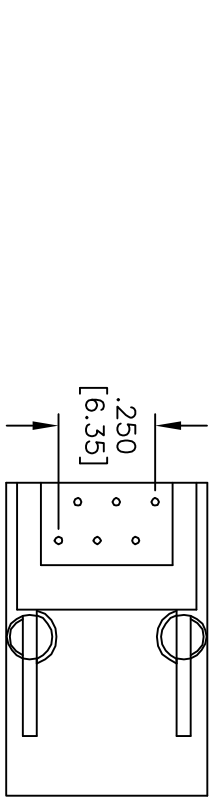


APPROVED: _____
 DATE: _____ TITLE: _____

Rev	AWO #	Description	Date	Appr
-		RELEASED	10/4/04	
A		REDRAWN	10/27/10	



SECTION A-A

X	PLATING
0	15 µin Gold
1	30 µin Gold
2	50 µin Gold

SPECIFICATIONS:
 Material: Insulator: PBT, rated UL 94V-0
 Insulator color: Black
 Contacts: Phosphor Bronze
 Plating: Gold over Nickel underplate on contact area, Tin over Copper underplate on PCB tails, (See chart for thickness)

Electrical:
 Operating voltage: 125 VAC max
 Current rating: 1.5 Amps max
 Contact resistance: 35 mohms max
 Insulation resistance: 1000 Mohms min @ 500 VDC
 Dielectric withstanding voltage: 1000 VAC for 1 minute
 Temperature Rating: Operating temperature: -40°C to +85°C
 Environmental: Lead free, RoHS compliant.
 Recommended soldering temp: 235°C for 5 sec.



ADAM TECH

909 Rahway Avenue, Union, NJ 07083
 Phone: 908-687-5000 Fax: 908-687-5710

MODULAR TELEPHONE JACK, 6P6C
 RIGHT ANGLE, PCB

UNLESS OTHERWISE SPECIFIED ALL DIMENSIONS ARE INCHES [MM] TOLERANCES EXCEPT AS NOTED		INCHES		HOLE SIZES		DATE	
.X	± .10	Ø.X	± .10				
.XX	± .020	Ø.XXX	± .015				
.XXX	± .015	Ø.XXX	± .010				
APPROVALS		DATE		DATE		DATE	
DRAWN	SS	10/4/04		DATE		DATE	
CHECKED				DATE		DATE	
APPROVED				DATE		DATE	
TITLE		SIZE	PART NO.	SCALE	WTS	SHEET	1 OF 1
MODULAR TELEPHONE JACK, 6P6C RIGHT ANGLE, PCB		X	MTJ-66GX1				
REF: S0005C							