

Rev	AWO #	Description	Date	Appr
-		RELEASED	7/20/11	

6

5

4

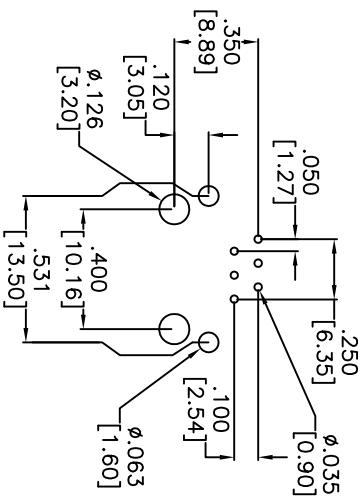
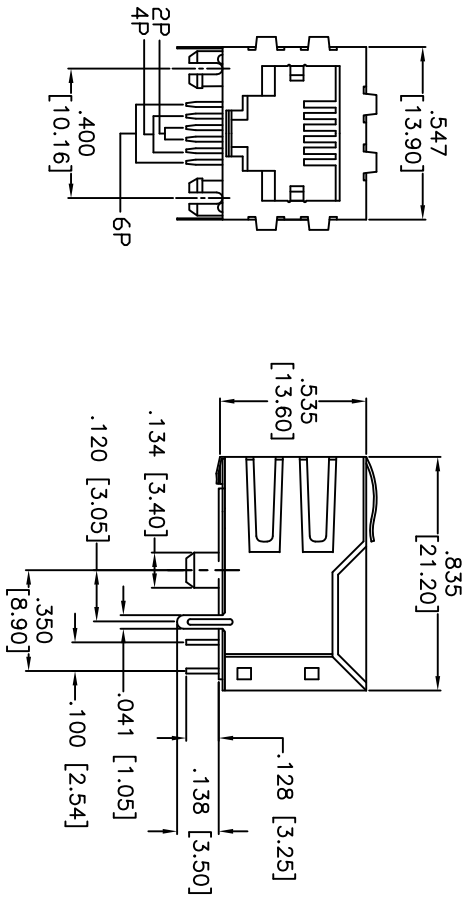
3

2

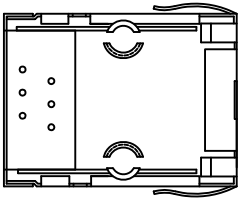
1

APPROVED: \_\_\_\_\_

DATE: \_\_\_\_\_ TITLE: \_\_\_\_\_



RECOMMENDED PCB LAYOUT



## SPECIFICATIONS:

Material:

Insulator: PBT, rated UL 94V-0

Insulator color: Black

Contacts: Phosphor Bronze

Shield: Copper Alloy, Nickel plated

Plating:

Gold over Nickel underplate on contact area,

Tin over Copper underplate on PCB tails.

(See chart for thickness)

Electrical:

Operating voltage: 125 VAC max

Current rating: 1.5 Amps max

Contact resistance: 35 mohms max

Insulation resistance: 1000 Mohms min @ 500 VDC

Dielectric withstanding voltage: 1000 VAC for 1 minute

Temperature Rating:

Operating temperature: -40°C to +85°C

Environmental:

Lead free, RoHS compliant.

Recommended soldering temp: 235°C for 5 sec.

X	PLATING
0	15 $\mu$ in Gold
1	30 $\mu$ in Gold
2	50 $\mu$ in Gold

**ADAM TECH**

909 Rahway Avenue, Union, NJ 07083

Phone: 908-687-5000 Fax: 908-687-5710

MODULAR TELEPHONE JACK, 6P6C  
RIGHT ANGLE, PCB

UNLESS OTHERWISE SPECIFIED ALL DIMENSIONS ARE INCHES [MM] TOLERANCES: EXCEPT AS NOTED		INCHES		HOLDS	
.X	± .10	ØX	± .10		
.XX	± .020	ØXX	± .015		
.XXX	± .015	ØXXX	± .010		
APPROVALS		DATE		TITLE	
DRAWN	DY	7/20/11		MODULAR TELEPHONE JACK, 6P6C RIGHT ANGLE, PCB	
CHECKED		SIZE	PART NO.	REV.	
APPROVED		X	MTJ-66GX1-FSD-PG		
		REF:	S00065T	SCALE:	NTS
				SHEET	1 OF 1



A

B

C

D

A

B

C

D

6

5

4

3

2

1