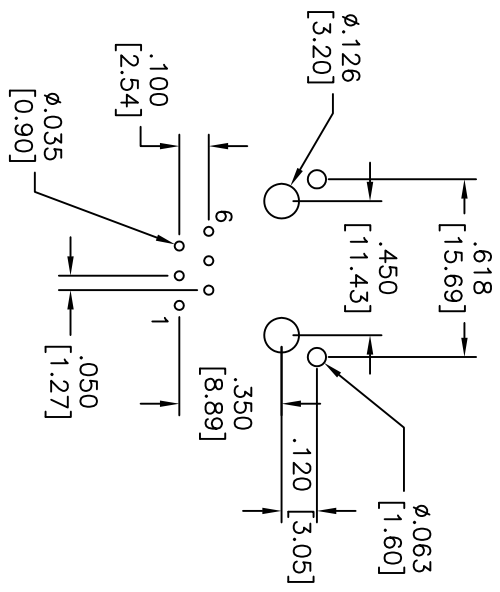
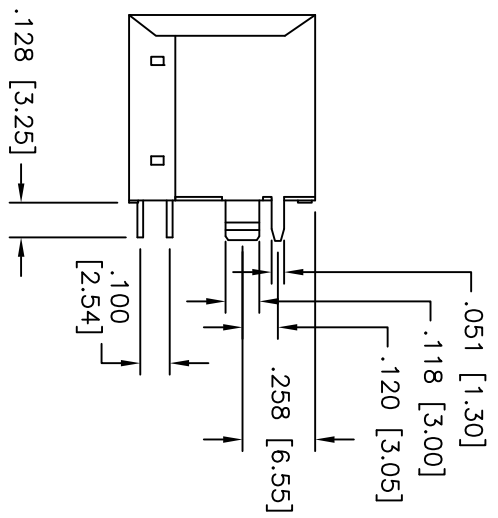
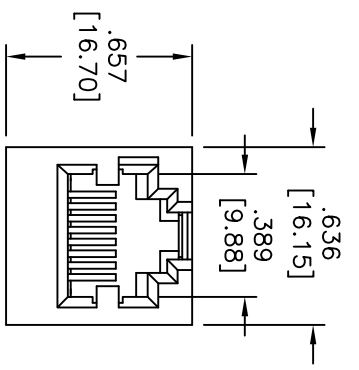


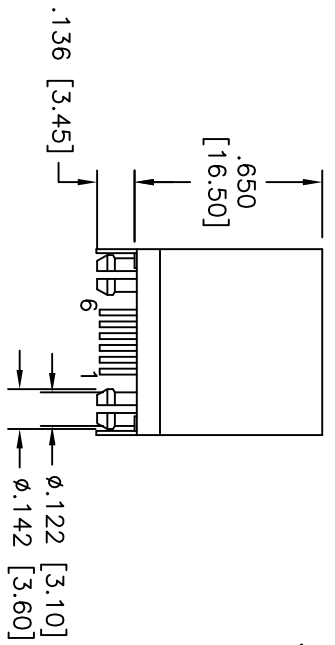
Rev	AWO #	Description	Date	Appr
-		RELEASED	10/07/10	

APPROVED: _____
 DATE: _____ TITLE: _____



"X"	PLATING
0	15 µin Gold
1	30 µin Gold
2	50 µin Gold

RECOMMENDED PCB LAYOUT



SPECIFICATIONS:

Material:
 Insulator: PBT, glass reinforced, rated UL 94V-0
 Insulator color: Black
 Contacts: Phosphor Bronze
 Shield: Copper Alloy, Nickel plated
 Contact Plating:
 Gold Flash over Nickel underplate on contact area,
 Tin over Copper underplate on tails
 (See chart for thickness).

Electrical:

Operating voltage: 150 VAC max
 Current rating: 1.5 Amps max
 Contact Resistance: 20 mohms max. initial
 Insulation resistance: 500 Mohms min @ 500 VDC
 Dielectric withstanding voltage: 1000 VAC for 1 minut
 Temperature Rating:
 Operating temperature: -40°C to +125°C

Environmental:

Lead free, RoHS compliant.
 Recommended soldering temp: 235°C for 5 sec.



ADAM TECH

909 Rahway Avenue, Union, NJ 07083
 Phone: 908-687-5000 Fax: 908-687-5710

MODULAR TELEPHONE JACK, 6P6C
 SHIELDED, TOP ENTRY, PCB TYPE

UNLESS OTHERWISE SPECIFIED ALL DIMENSIONS ARE INCHES [MM] TOLERANCES: EXCEPT AS NOTED	
X .XX ± .10	ØX ± .10
.XX ± .020	ØXXX ± .015
.XXX ± .015	ØXXX ± .010
APPROVALS	DATE
DRAWN	DY
CHECKED	
APPROVED	

TITLE		SIZE	PART NO.	SCALE	SHEET	REV.
MODULAR TELEPHONE JACK, 6P6C SHIELDED, TOP ENTRY, PCB TYPE		X	MTJ-66FX1-FSE	NTS	1 OF 1	