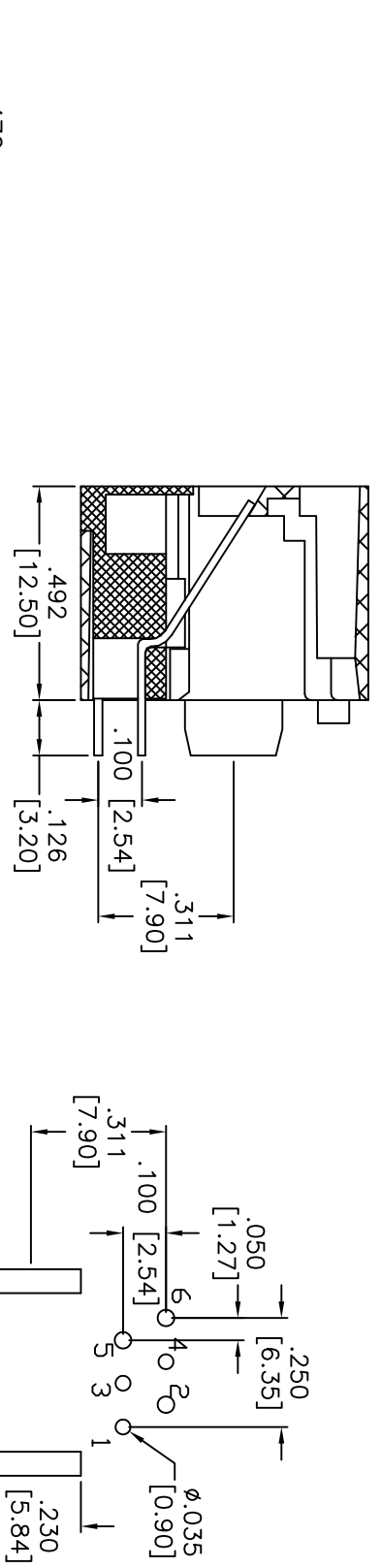


Rev	AWO #	Description	Date	Appr
-		RELEASED	9/25/09	

APPROVED: \_\_\_\_\_ TITLE: \_\_\_\_\_  
 DATE: \_\_\_\_\_



**SPECIFICATIONS:**  
 Material: Insulator: PBT, rated UL 94V-0  
 Insulator color: Black  
 Contacts: Phosphor Bronze  
 Plating: Gold over Nickel underplate on contact area, Tin over Copper underplate on PCB tails

**Electrical:**  
 Operating voltage: 125 VAC max  
 Current rating: 1.5 Amps max  
 Contact resistance: 35 mohms max  
 Insulation resistance: 1000 Mohms min @ 500 VDC  
 Dielectric withstanding voltage: 1000 VAC for 1 minute  
 Temperature Rating: Operating temperature: -40°C to +85°C

**Environmental:**  
 Lead free, RoHS compliant.  
 Recommended soldering temp: 235°C for 5 sec.

X	PLATING
0	15 µin Gold
1	30 µin Gold
2	50 µin Gold

UNLESS OTHERWISE SPECIFIED ALL DIMENSIONS ARE INCHES [MM]	
TOLERANCES: EXCEPT AS NOTED	
INCHES	HOLDS
.X ± .10	Ø.X ± .10
.XX ± .020	Ø.XX ± .015
.XXX ± .015	Ø.XXX ± .010
APPROVALS	DATE
DRAWN	DY
CHECKED	9/25/09
APPROVED	

**ADAM TECH**  
 909 Railway Avenue, Union, NJ 07083  
 Phone: 908-687-5000 Fax: 908-687-5710

TITLE: MODULAR TELEPHONE JACK, 8P8C  
 BOTTOM ENTRY, PCB TYPE

6	5	4	3	2	1
ROHS COMPLIANT		DATE: 9/25/09		SHEET 1 OF 1	