

Rev	AWO #	Description	Date	Appr
-		RELEASED	11/18/04	

6

5

4

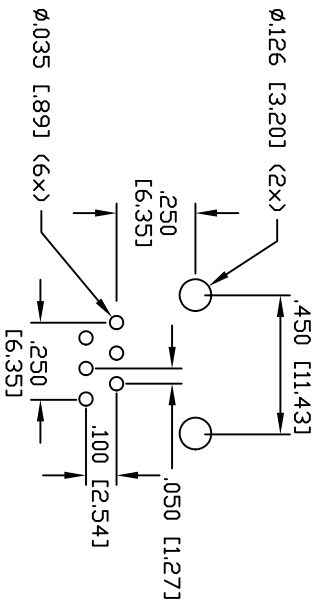
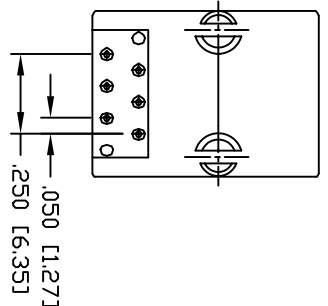
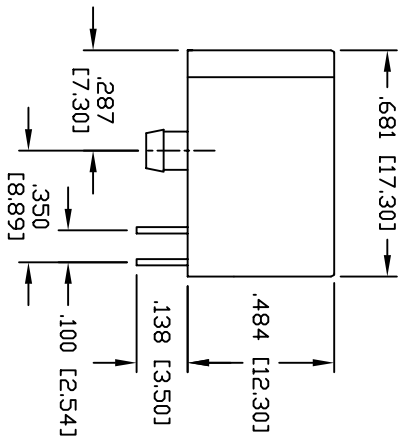
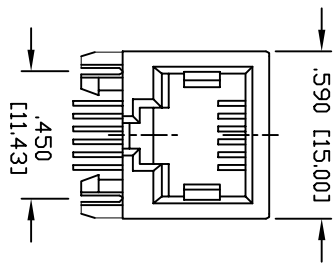
3

2

1

APPROVED: _____

DATE: _____ TITLE: _____



RECOMMENDED
PCB LAYOUT

X	PLATING
0	15 µin Gold
1	30 µin Gold
2	50 µin Gold

SPECIFICATIONS:

Material: Insulator: PBT, glass reinforced, rated UL 94V-0
 Insulator color: Black
 Contacts: Phosphor Bronze
 Plating: Gold over Nickel underplate overall
 (See plating chart)
 Electrical: Operating voltage: 150 VAC max
 Current rating: 1.5 Amps max
 Contact resistance: 20 mohms max
 Insulation resistance: 500 Mohms min @ 500 VDC
 Dielectric withstanding voltage: 1000 VAC for 1 minute
 Temperature Rating: Operating temperature: -40°C to +125°C

ADAM TECH

909 Rahway Avenue, Union, NJ 07083
 Phone: 908-687-5000 Fax: 908-687-5710

TITLE: MODULAR TELEPHONE JACK, RIGHT ANGLE
 6 POSITION 6 CONTACT

UNLESS OTHERWISE SPECIFIED ALL DIMENSIONS ARE IN INCHES [MM]	
TOLERANCES: EXCEPT AS NOTED	HOLDS
.X ± .10	± .10
.XX ± .020	± .015
.XXX ± .015	± .010
APPROVALS	DATE
DRAWN SS	11/18/04
CHECKED	
APPROVED	

SIZE	PART NO.	REV.
X	MTJ-669X1	-
REF:	SCALE: NTS	SHEET 1 OF 1

6

5

4

3

2

1