

6

5

4

3

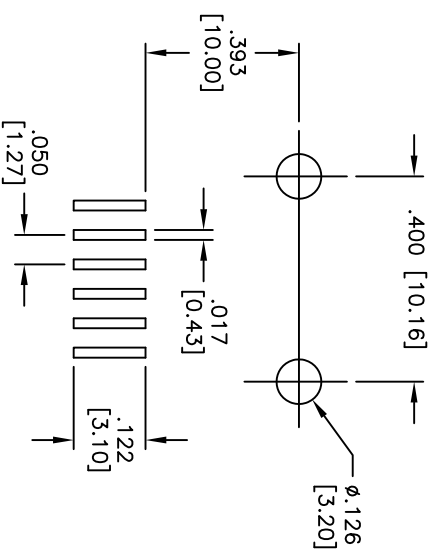
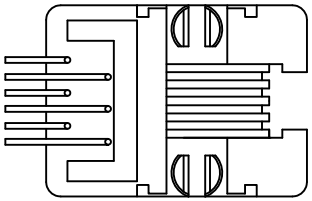
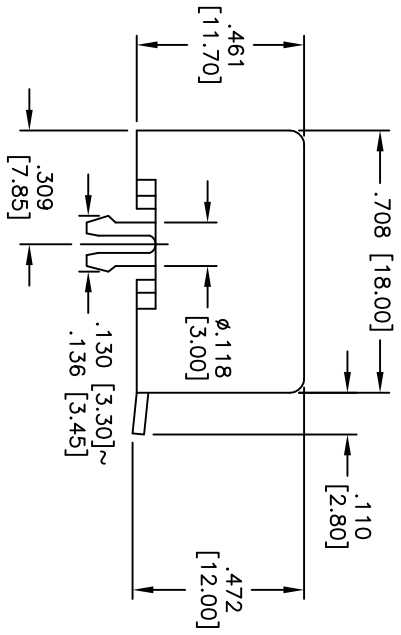
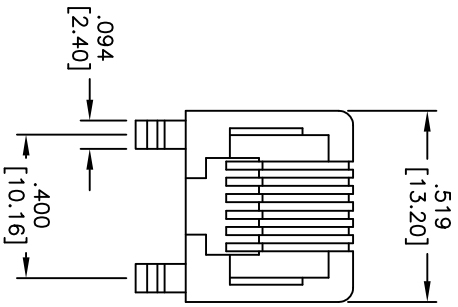
2

1

APPROVED: \_\_\_\_\_

DATE: \_\_\_\_\_ TITLE: \_\_\_\_\_

Rev	AWO #	Description	Date	Appr
-	7129	RELEASED	12/13/06	
A		REDRAWN	9/30/10	



RECOMMENDED PCB LAYOUT

X	PLATING
0	15 µin Gold
1	30 µin Gold
2	50 µin Gold

SPECIFICATIONS:

Material: (Nylon-46) rated 94V-0, color Black

Insulator: Phosphor Bronze

Contacts: Gold over Nickel underplate on contact area, Tin over Copper underplate on tails.

Plating: (See chart for thickness)

Electrical:

Operation voltage: 125 VAC max

Current rating: 1.5 Amps max

Contact resistance: 10 mohm max

Insulation resistance: 500 Mohm min @ 500 VDC

Dielectric withstanding voltage: 1000 VAC min rms

Environmental:

Operating temperature: 40°C to 70°C

Lead free, RoHS compliant.

Recommended soldering temp: 260°C for 5 sec.



**ADAM TECH**

909 Railway Avenue, Union, NJ 07083  
Phone: 908-687-5000 Fax: 908-687-5710

TITLE: TELEPHONE JACK, SMT, SIDE ENTRY,  
6P6C

UNLESS OTHERWISE SPECIFIED ALL DIMENSIONS ARE MM [INCHES] TOLERANCES: EXCEPT AS NOTED		DRAWN: BW		DATE: 12/13/06	
.X	± .10	ØX	± .10		
.XX	± .020	ØXX	± .015		
.XXX	± .015	ØXXX	± .010		
APPROVALS:		DATE:			
CHECKED		SIZE	PART NO.	REV.	
APPROVED		X	MTJ-665X1-SMT	A	
		REF:	S00085T	SCALE:	NIS
				SHEET:	1 OF 1

6

5

4

3

2

1