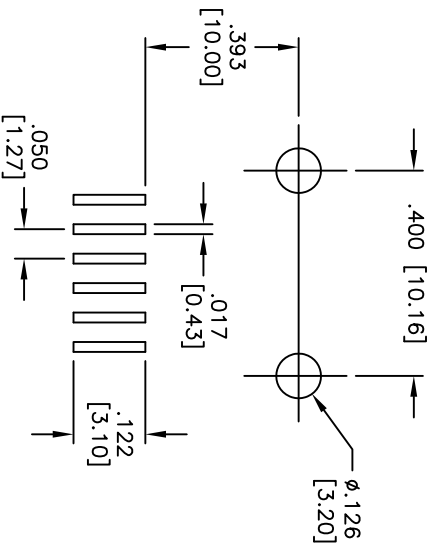
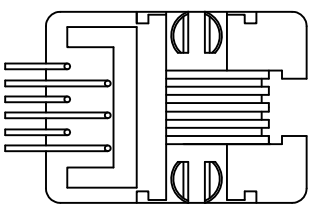
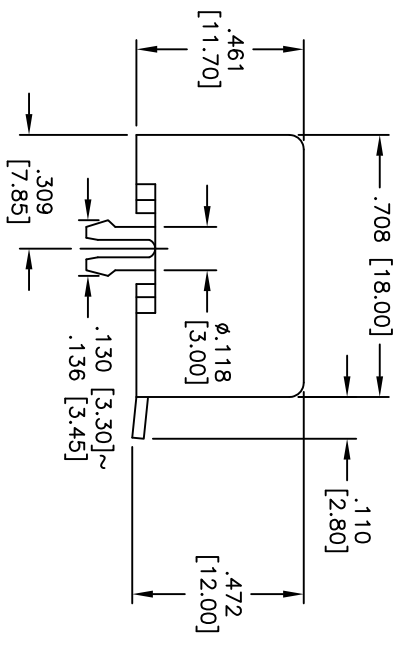
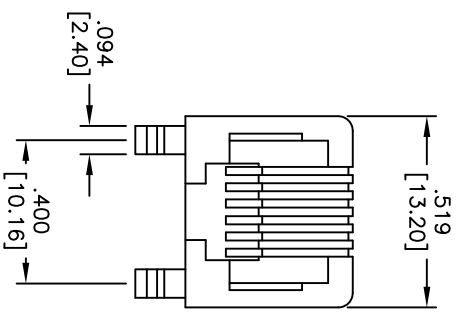


Rev	AWO #	Description	Date	Appr
-		RELEASED	9/30/10	

APPROVED: \_\_\_\_\_  
 DATE: \_\_\_\_\_ TITLE: \_\_\_\_\_



X	PLATING
0	15 µm Gold
1	30 µm Gold
2	50 µm Gold

RECOMMENDED PCB LAYOUT

PACKAGED ON TAPE & REEL

**SPECIFICATIONS:**

**Material:** Insulator: (Nylon-46) rated 94V-0, color Black  
**Contacts:** Phosphor Bronze  
**Plating:** Gold over Nickel underplate on contact area, Tin over Copper underplate on tails.  
 (See chart for thickness)  
**Electrical:**

**Operation voltage:** 125 VAC max  
**Current rating:** 1.5 Amps max  
**Contact resistance:** 10 mohm max  
**Insulation resistance:** 500 Mohm min @ 500 VDC  
**Dielectric withstanding voltage:** 1000 VAC min rms  
**Environmental:**  
**Operating temperature:** 40°C to 70°C  
**Lead free, RoHS compliant.**  
**Recommended soldering temp:** 260°C for 5 sec.

**ADAM TECH**

909 Rahway Avenue, Union, NJ 07083  
 Phone: 908-687-5000 Fax: 908-687-5710

TITLE: TELEPHONE JACK, SMT, SIDE ENTRY,  
 6P6C

UNLESS OTHERWISE SPECIFIED ALL DIMENSIONS ARE MM [INCHES] TOLERANCES: EXCEPT AS NOTED	
.X	± .10
.XX	± .020
.XXX	± .015
.XXX	± .015
APPROVALS	DATE
DRAWN	AY
CHECKED	VW
APPROVED	

SIZE	PART NO.	REV.
X	MTJ-665X1-SMT-T/R	-
REF:	S00065T	SHEET 1 OF 1
SCALE:	NIS	



6

5

4

3

2

1