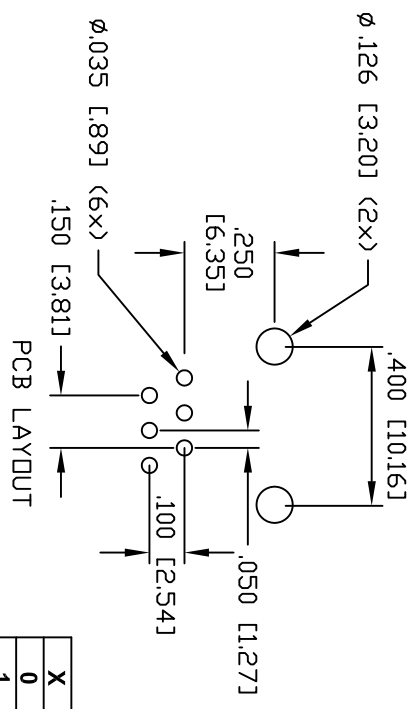
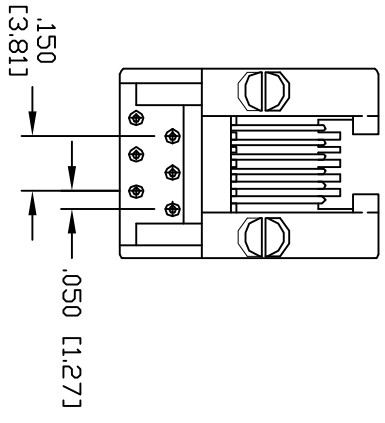
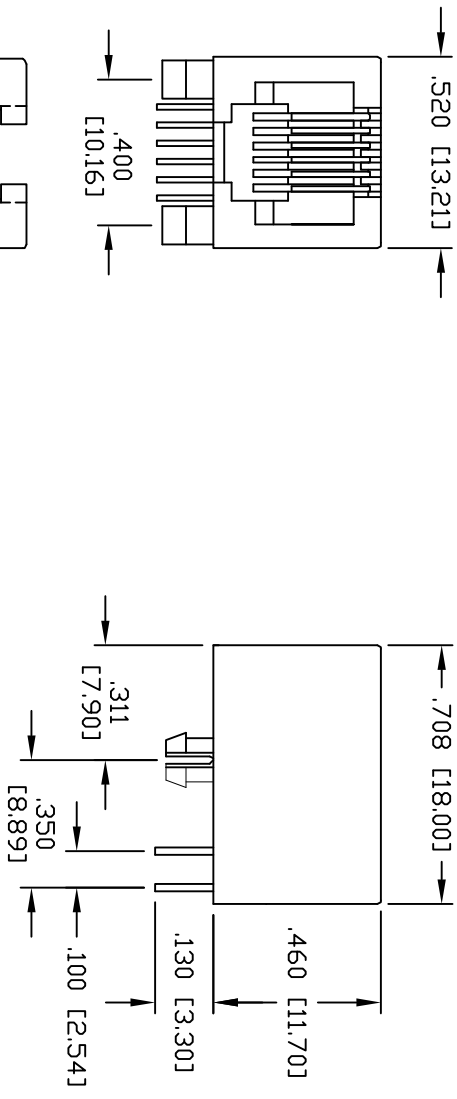


Rev	AWO #	Description	Date	Appr
-		RELEASED	2/05/10	

APPROVED: _____ TITLE: _____
 DATE: _____



X	PLATING
0	15 µin Gold
1	30 µin Gold
2	50 µin Gold

SPECIFICATIONS:

Material:
 Insulator: Hi-temp thermoplastic, rated UL 94V-0
 Insulator color: Black
 Contacts: Phosphor Bronze
 Plating:
 Gold over Nickel underplate on contact area,
 Tin over Copper underplate on PCB tails.
 (See chart for thickness)
Electrical:
 Operating voltage: 150 VAC max
 Current rating: 1.5 Amps max
 Contact resistance: 20 mohms max
 Insulation resistance: 500 Mohms min @ 500 VDC
 Dielectric withstanding voltage: 1000 VAC for 1 minute
 Temperature Rating:
 Operating temperature: -40°C to +125°C
Environmental:
 Lead free, RoHS compliant.
 Recommended soldering temp: 260°C for 5 sec.



UNLESS OTHERWISE SPECIFIED ALL DIMENSIONS ARE INCHES [MM]	
TOLERANCES: EXCEPT AS NOTED	
INCHES	HOLES
X ± .10	ØX ± .10
XX ± .020	ØXX ± .015
XXX ± .015	ØXXX ± .010
APPROVALS	DATE
DRAWN DY	2/05/10
CHECKED	
APPROVED	

ADAM TECH
 909 Railway Avenue, Union, NJ 07083
 Phone: 908-687-5000 Fax: 908-687-5710

TITLE: MODULAR TELEPHONE JACK, 6P6C
 RIGHT ANGLE, PCB, COLOR BLACK

SIZE	PART NO.	REV.
X	MTJ-665X1-HT	
REF:	SCALE: NTS	SHEET 1 OF 1