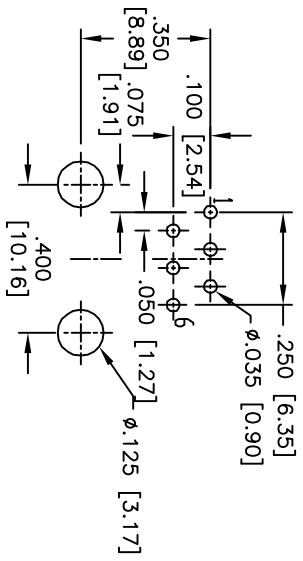
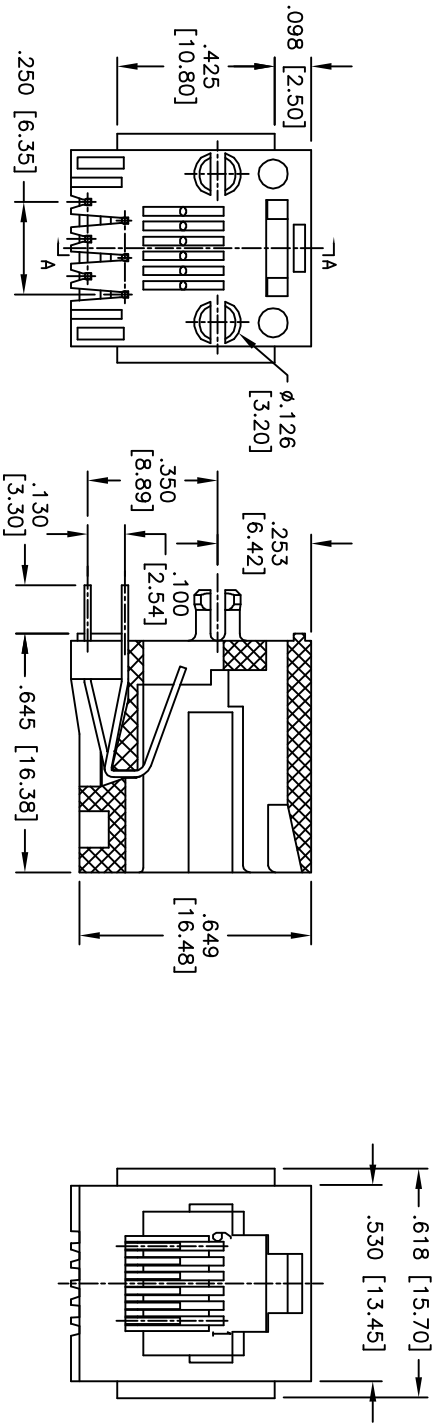


Rev	AWO #	Description	Date	Appr
-		RELEASED	10/4/04	
A		UPDATED TITLE	9/25/06	
B		REDRAWN	11/18/10	

APPROVED: \_\_\_\_\_  
 DATE: \_\_\_\_\_ TITLE: \_\_\_\_\_



RECOMMENDED PCB LAYOUT

X	PLATING
0	15 µin Gold
1	30 µin Gold
2	50 µin Gold

**B SPECIFICATIONS:**  
 Material: Insulator: PBT, rated UL 94V-0  
 Insulator color: Black  
 Contacts: Phosphor Bronze  
 Plating: Gold Flash over Nickel underplate on contact area, Tin over Copper underplate on tails (See chart for thickness).  
 Electrical:  
 Operating voltage: 125 VAC max  
 Current rating: 1.5 Amps max  
 Contact resistance: 20 mohms max  
 Insulation resistance: 1000 Mohms min @ 500 VDC  
 Dielectric withstanding voltage: 1000 VAC for 1 minute  
 Temperature Rating: Operating temperature: -40°C to +85°C

**A Environmental:**  
 Lead free, RoHS compliant.  
 Recommended soldering temp: 235°C for 5 sec.



UNLESS OTHERWISE SPECIFIED  
 ALL DIMENSIONS ARE INCHES [MM]  
 TOLERANCES: EXCEPT AS NOTED  
 INCHES HOLES  
 .X ± .10 Ø.X ± .10  
 .XX ± .020 Ø.XX ± .015  
 .XXX ± .015 Ø.XXX ± .010

**ADAM TECH**  
 909 Railway Avenue, Union, NJ 07083  
 Phone: 908-687-5000 Fax: 908-687-5710  
 MODULAR TELEPHONE JACK, 6P6C  
 VERTICAL TOP ENTRY, PCB

APPROVALS	DATE
DRAWN SS	10/4/04
CHECKED	
APPROVED	

SIZE	PART NO.	REV.
X	MTJ-663X1	B
REF: S00036C	SCALE: NTS	SHEET 1 OF 1