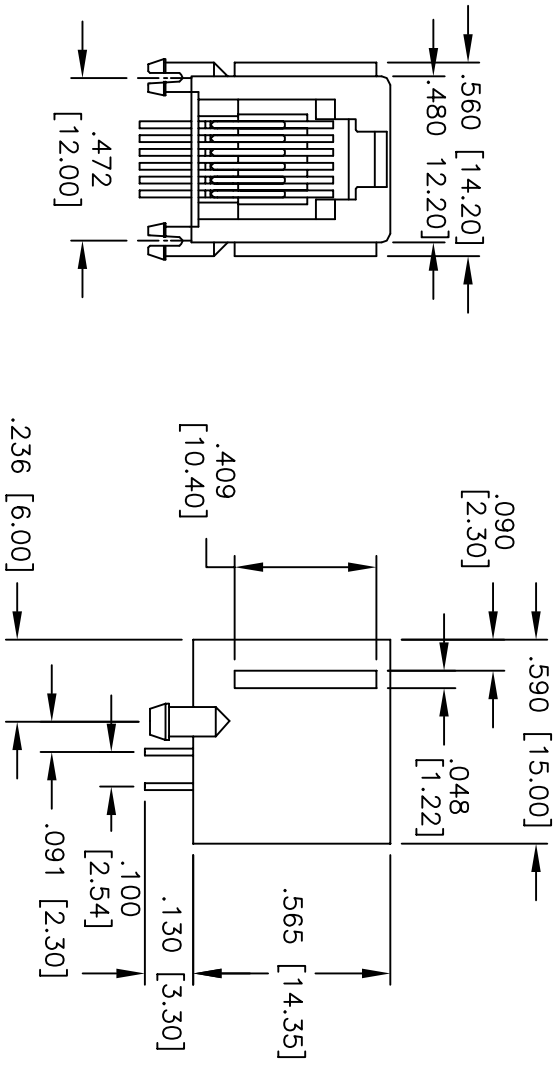
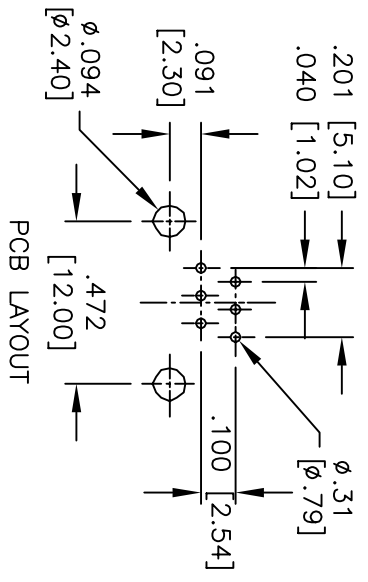


Rev	AWO #	Description	Date	Appr
-		RELEASED	10/4/04	

APPROVED: \_\_\_\_\_  
 DATE: \_\_\_\_\_ TITLE: \_\_\_\_\_



X	PLATING
0	15 µin Gold
1	30 µin Gold
2	50 µin Gold



**ADAM TECH**

909 Railway Avenue, Union, NJ 07083  
 Phone: 908-687-5000 Fax: 908-687-5710

MODULAR TELEPHONE JACK, 6P6C  
 RIGHT ANGLE, PCB

**SPECIFICATIONS:**  
 Material: Insulator: PBT, rated UL 94V-0  
 Insulator color: Gray  
 Contacts: Phosphor Bronze  
 Plating: Gold over Nickel underplate on contact area, Tin over Copper underplate on PCB tails  
 Electrical:  
 Operating voltage: 150 VAC max  
 Current rating: 1.5 Amps max  
 Contact resistance: 20 mohms max  
 Insulation resistance: 500 Mohms min @ 500 VDC  
 Dielectric withstanding voltage: 1000 VAC for 1 minute  
 Temperature Rating: Operating temperature: -40°C to +125°C  
 Environmental:  
 Lead free, RoHS compliant.  
 Recommended soldering temp: 235 for 5 sec.



UNLESS OTHERWISE SPECIFIED ALL DIMENSIONS ARE IN INCHES [MM]	
TOLERANCES: EXCEPT AS NOTED	
INCHES	HOLES
.X ± .10	ØXX ± .10
.XX ± .020	ØXXX ± .015
.XXX ± .015	ØXXXX ± .010
APPROVALS	
DRAWN	SS
CHECKED	
APPROVED	
	10/4/04

SIZE	PART NO.	REV.
X	MTJ-662X2	-
REF:	SCALE: NTS	SHEET 1 OF 1