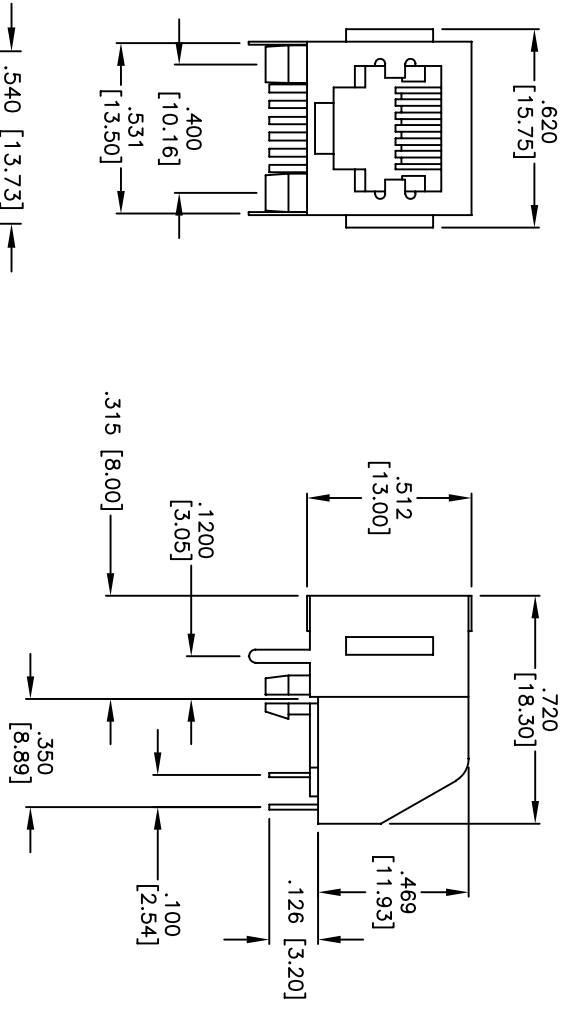
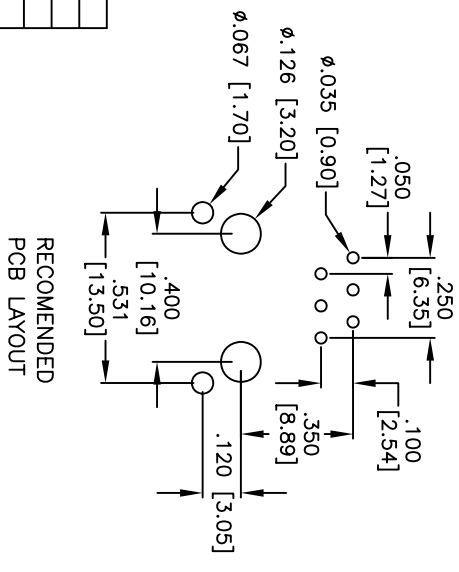


Rev	AWO #	Description	Date	Appr
-		RELEASED	2/15/06	

APPROVED: \_\_\_\_\_  
 DATE: \_\_\_\_\_ TITLE: \_\_\_\_\_



X	PLATING
0	15 µin Gold
1	30 µin Gold
2	50 µin Gold



**SPECIFICATIONS:**

**Material:**  
 Insulator: PBT, rated UL 94V-0  
 Insulator color: Black  
 Contacts: Phosphor Bronze  
 Shield: Copper Alloy, Nickel Plated  
 Plating:  
 Gold over Nickel underplate on contact area, Tin over Copper underplate on PCB tails

**Electrical:**  
 Operating voltage: 150 VAC max  
 Current rating: 1.5 Amps max  
 Contact resistance: 20 mohms max  
 Insulation resistance: 500 Mohms min @ 500 VDC  
 Dielectric withstanding voltage: 1000 VAC for 1 minute  
 Temperature Rating:  
 Operating temperature: -40°C to +125°C

**Environmental:**  
 Lead free, RoHS compliant.  
 Recommended soldering temp: 235 for 5 sec.



**ADAM TECH**

909 Railway Avenue, Union, NJ 07083  
 Phone: 908-687-5000 Fax: 908-687-5710

MODULAR TELEPHONE JACK, 6P6C  
 RIGHT ANGLE, SHIELDED, PCB

UNLESS OTHERWISE SPECIFIED ALL DIMENSIONS ARE INCHES [MM]	
TOLERANCES: EXCEPT AS NOTED	
INCHES	HOLDS
.X ± .10	ØXX ± .10
.XX ± .020	ØXXX ± .015
.XXX ± .015	ØXXXX ± .010
APPROVALS	DATE
DRAWN	SS
CHECKED	2/15/06
APPROVED	

TITLE		SIZE	PART NO.	REV.
MODULAR TELEPHONE JACK, 6P6C RIGHT ANGLE, SHIELDED, PCB		X	MTJ-660X1-S	-
REF:		SCALE:	NTS	SHEET 1 OF 1