

6

5

4

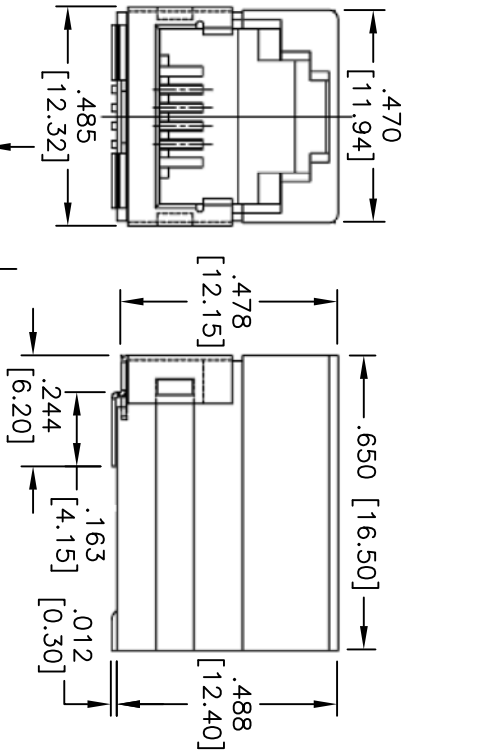
3

2

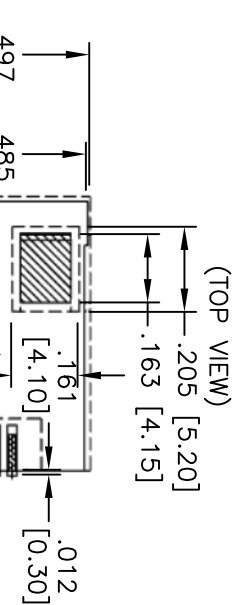
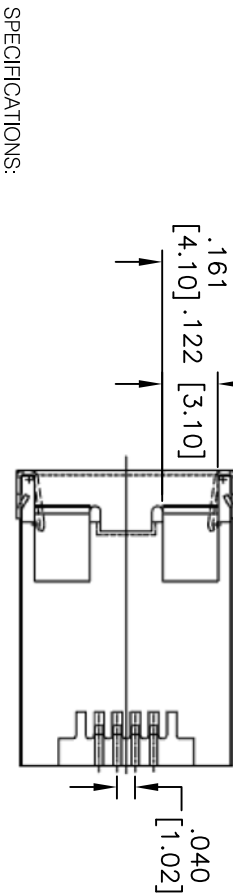
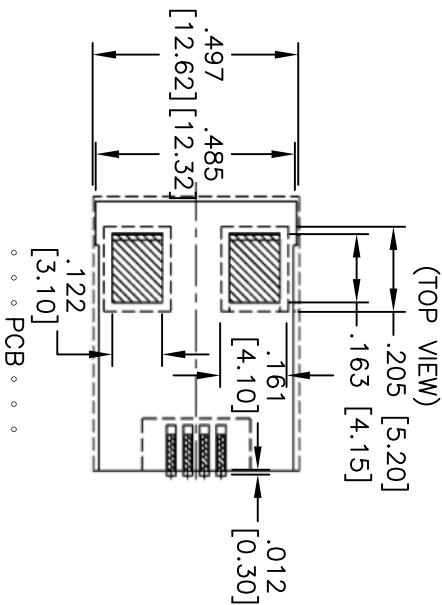
1

APPROVED: _____
 DATE: _____ TITLE: _____

Rev	AWO #	Description	Date	Appr
-		RELEASED	9/07/09	
A		ADDED SPEC.	1/11/11	



RECOMMENDED PCB LAYOUT
(TOP VIEW)



SPECIFICATIONS:

Material: Insulator: Hi-Temp Nylon, rated UL 94V-0

Insulator color: Black
 Contacts: Phosphor Bronze

Plating:
 Gold over Nickel underplate on contact area,
 Tin over Copper underplate on tails

Electrical:
 Operating voltage: 150 VAC max
 Current rating: 1.5 Amps max
 Contact resistance: 20 mohms max
 Insulation resistance: 500 Mohms min @ 500 VDC
 Dielectric withstanding voltage: 1000 VAC for 1 minute

Temperature Rating:
 Operating temperature: -40°C to +125°C
 Environmental:
 EIA-481 staves for Cover Tape Peel Strength.
 The force required to peel off the cover tape from the carrier will fall within the range of 0.1 Newtons to 1.3 Newtons (10 to 130grams) at a peel speed to 300mm per minute. This complies with EIA standard 481.
 Lead free, RoHS compliant.
 Recommended soldering temp: 260°C for 5 sec.

PACKAGED ON TAPE & REEL
 PACKAGING NOTE:
 15 POCKETS IN FRONT EMPTY
 15 POCKETS AT END EMPTY

ADAM TECH

909 Rahway Avenue, Union, NJ 07083
 Phone: 908-687-5000 Fax: 908-687-5710

MODULAR TELEPHONE JACK, 6P4C
 SMT TYPE, SIDE ENTRY

UNLESS OTHERWISE SPECIFIED ALL DIMENSIONS ARE IN INCHES [MM]	
TOLERANCES: EXCEPT AS NOTED	HOLDS
.X ± .10	ØX ± .10
.XX ± .020	ØXX ± .015
.XXX ± .015	ØXXX ± .010
APPROVALS	DATE
DRAWN	DR
CHECKED	
APPROVED	

TITLE		MODULAR TELEPHONE JACK, 6P4C	
SIZE		PART NO.	
X		MTJ-64RAX1-TR	
REF:	SCALE:	NTS	SHEET 1 OF 1

6

5

4

3

2

1

