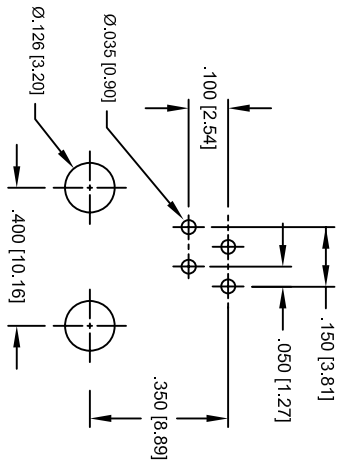
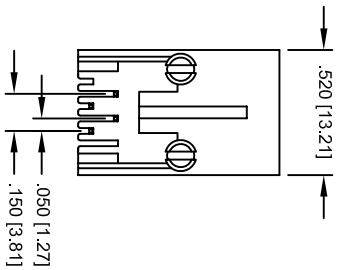
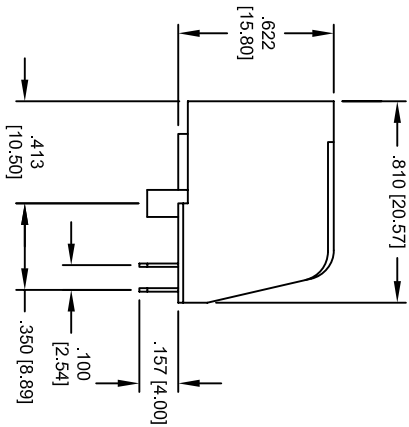
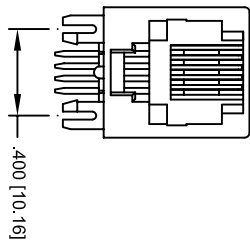


Rev	AWO #	Description	Date	Appr
-		RELEASED	5/2/05	

APPROVED: _____
 DATE: _____ TITLE: _____



X	PLATING
0	15 µin Gold
1	30 µin Gold
2	50 µin Gold

SPECIFICATIONS:

Material: PBT, glass reinforced, rated UL 94V-0

Insulator color: Black

Contacts: Phosphor Bronze

Plating: Gold over Nickel underplate on contact area, Tin over Copper underplate on PCB tails. (See chart for thickness)

Electrical:

Operating voltage: 150 VAC max

Current rating: 1.5 Amps max

Contact resistance: 20 mohms max

Insulation resistance: 500 Mohms min @ 500 VDC

Dielectric withstanding voltage: 1000 VAC for 1 minute

Temperature Rating:

Operating temperature: -40°C to +70°C

Mechanical:

Insertion force: 3.95 lbf

Durability: 500 Cycles min.

Retention: 20 lbf min axial force applied on the plug at a rate of 1" ±.25"

Environmental:

Lead free, RoHS compliant.

Recommended soldering temp: 235 for 5 sec.



RECOMMENDED
PCB LAYOUT

ADAM TECH

909 Rahway Avenue, Union, NJ 07083
 Phone: 908-687-5000 Fax: 908-687-5710

**MODULAR TELEPHONE JACK, 6P4C
 RIGHT ANGLE, PCB, NO FLANGE**

UNLESS OTHERWISE SPECIFIED ALL DIMENSIONS ARE IN INCHES [MM]	
TOLERANCES: EXCEPT AS NOTED	HOLDS
.X ±.10	ØX ±.10
.XX ±.020	ØXXX ±.015
.XXX ±.015	ØXXX ±.010
APPROVALS	DATE
DRAWN	SS
CHECKED	
APPROVED	

TITLE	SIZE	PART NO.	REV.
MODULAR TELEPHONE JACK, 6P4C RIGHT ANGLE, PCB, NO FLANGE	X	MTJ-641X1-N	-
REF:	SCALE:	NTS	SHEET 1 OF 1

