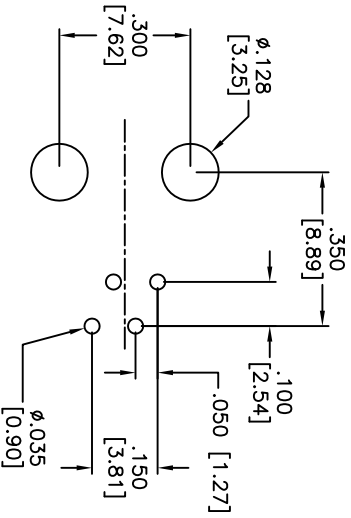
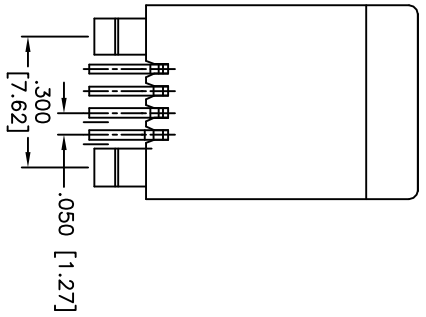
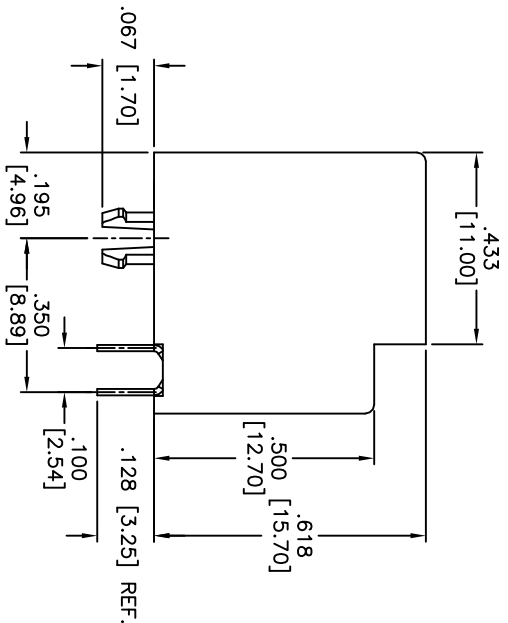
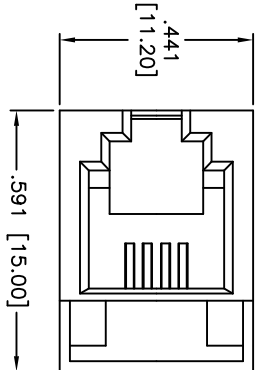


Rev	AWO #	Description	Date	Appr
-		RELEASED	5/21/10	

APPROVED: _____
 DATE: _____ TITLE: _____



RECOMMENDED PCB LAYOUT
(TOP VIEW)

X	PLATING
0	15 µin Gold
1	30 µin Gold
2	50 µin Gold

SPECIFICATIONS:
 Material: Thermoplastic, rated UL 94V-0
 Insulator color: Black
 Contacts: Phosphor Bronze
 Plating: Gold over Nickel underplate on contact area, Tin over Copper underplate on tails.
 (See chart for thickness)

Electrical:
 Operating voltage: 125 VAC max
 Current rating: 1.5 Amps max
 Contact resistance: 45 mohms max
 Insulation resistance: 1,000 Mohms min @ 500 VDC
 Dielectric withstanding voltage: 1000 VAC for 1 minute

Temperature Rating:
 Operating temperature: -40°C to +85°C
 Environmental: RoHS compliant.
 Recommended soldering temp: 235°C for 5 sec.



UNLESS OTHERWISE SPECIFIED
 ALL DIMENSIONS ARE IN INCHES [MM]
 TOLERANCES: EXCEPT AS NOTED

INCHES	HOLES
.X ± .10	ØX ± .10
.XX ± .020	ØXXX ± .015
.XXX ± .015	ØXXXX ± .010

APPROVALS	DATE
DRAWN	5/21/10
CHECKED	
APPROVED	

ADAM TECH

909 Rahway Avenue, Union, NJ 07083
 Phone: 908-687-5000 Fax: 908-687-5710

MODULAR TELEPHONE JACK, 4P4C
 VERTICAL, THRU-HOLE PCB

SIZE	PART NO.	REV.
X	MTJ-44KX1-TH	-

REF: S00166T SCALE: NTS SHEET 1 OF 1