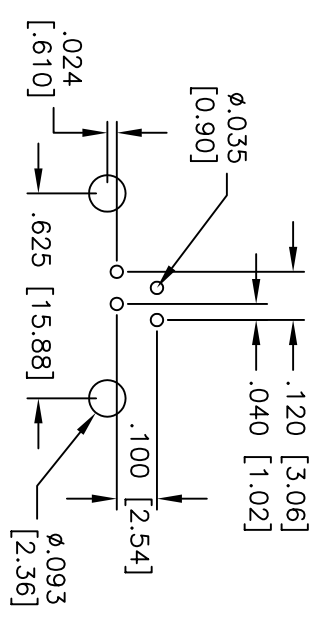
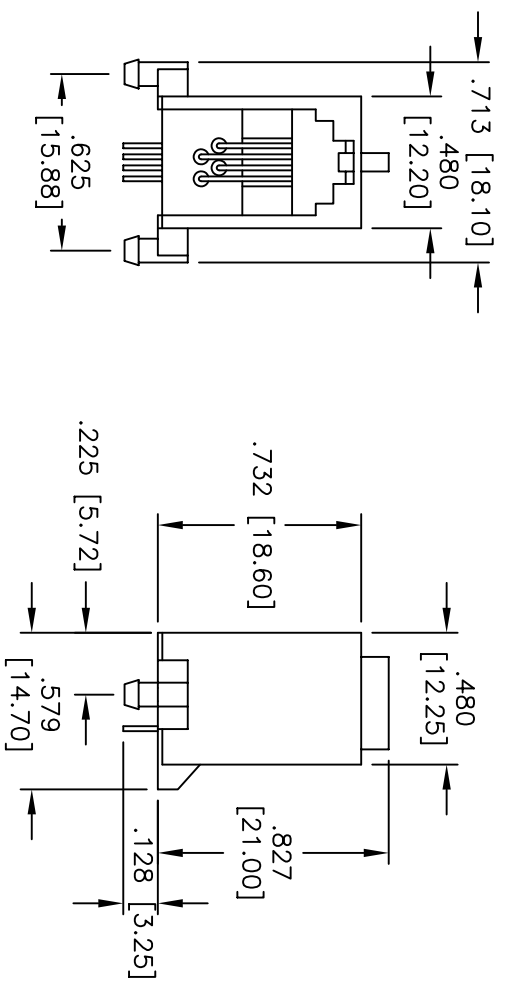


Rev	AWO #	Description	Date	Appr
-		RELEASED	10/4/04	

APPROVED: _____
 DATE: _____ TITLE: _____



X	PLATING
0	15 µin Gold
1	30 µin Gold
2	50 µin Gold

PCB LAYOUT

SPECIFICATIONS:
 Material: PBT, rated UL 94V-0
 Insulator color: Black
 Contacts: Phosphor Bronze
 Plating:
 Gold over Nickel underplate on contact area, Tin over Copper underplate on PCB tails
 Electrical:
 Operating voltage: 150 VAC max
 Current rating: 1.5 Amps max
 Contact resistance: 20 Mohms max
 Insulation resistance: 500 Mohms min @ 500 VDC
 Dielectric withstanding voltage: 1000 VAC for 1 minute
 Temperature Rating:
 Operating temperature: -40°C to +125°C
 Environmental:
 Lead free, RoHS compliant.
 Recommended soldering temp: 230 for 5 sec.



ADAM TECH

909 Rahway Avenue, Union, NJ 07083
 Phone: 908-687-5000 Fax: 908-687-5710

MODULAR TELEPHONE JACK, 4P4C
 RIGHT ANGLE, PCB

UNLESS OTHERWISE SPECIFIED ALL DIMENSIONS ARE IN INCHES [MM]		TOLERANCES EXCEPT AS NOTED	
INCHES		HOLDS	
.X	± .10	ØXX	± .10
.XX	± .020	ØXXX	± .015
.XXX	± .015	ØXXX	± .010
APPROVALS		DATE	
DRAWN	SS	10/4/04	
CHECKED			
APPROVED			
SIZE	PART NO.	SCALE	REV.
X	MTJ-447X1	NTS	-
REF:		SHEET	1 OF 1