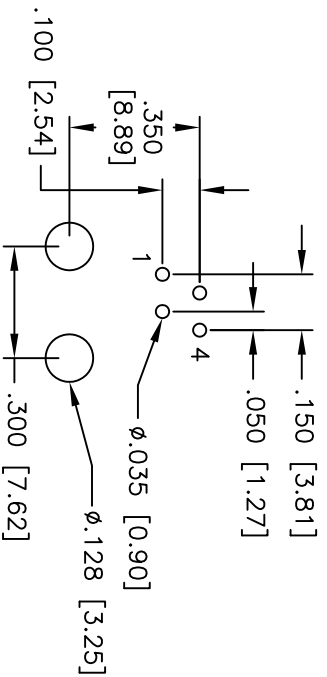
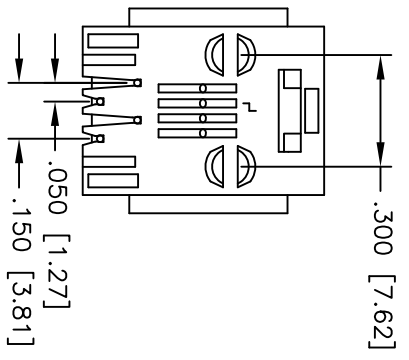
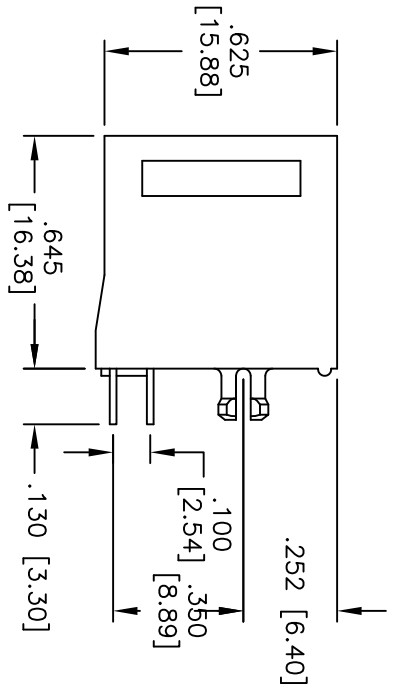
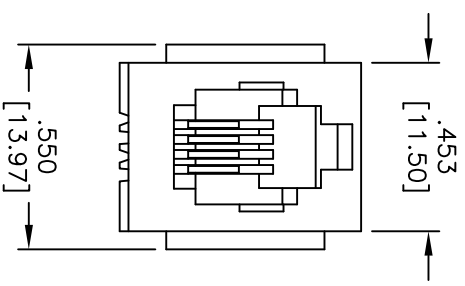


Rev	AWO #	Description	Date	Appr
-	-	RELEASED	10/4/04	
A		ADDED 1.91 DIMENSION	01/24/07	
B		REDRAWING	6/20/08	

APPROVED: _____
 DATE: _____ TITLE: _____



Recommended PCB Layout

X	PLATING
0	15 µin Gold
1	30 µin Gold
2	50 µin Gold

SPECIFICATIONS:

Material: Insulator: PBT, rated UL 94V-0
 Insulator color: Black
 Contacts: Phosphor Bronze
 Plating: Gold over Nickel underplate on contact area, Tin over Copper underplate on PCB tails

Electrical:

Operating voltage: 150 VAC max
 Current rating: 1.5 Amps max
 Contact resistance: 20 mohms max
 Insulation resistance: 500 Mohms min @ 500 VDC
 Dielectric withstanding voltage: 1000 VAC for 1 minute
 Temperature Rating: Operating temperature: -40°C to +125°C

Environmental:

Lead free, RoHS compliant.
 Recommended soldering temp: 235°C for 5 sec.



ADAM TECH

909 Rahway Avenue, Union, NJ 07083
 Phone: 908-687-5000 Fax: 908-687-5710

MODULAR TELEPHONE JACK, 4P4C
 TOP ENTRY, PCB

UNLESS OTHERWISE SPECIFIED ALL DIMENSIONS ARE INCHES [MM]		TOLERANCES EXCEPT AS NOTED	
INCHES		HOLDS	
.X	± .10	ØX	± .10
.XX	± .020	ØXXX	± .015
.XXX	± .015	ØXXX	± .010
APPROVALS		DATE	
DRAWN	SS	10/4/04	
CHECKED			
APPROVED			
SIZE	PART NO.	REV.	
X	MTJ-443X1	B	
REF:	SCALE: NTS	SHEET	1 OF 1