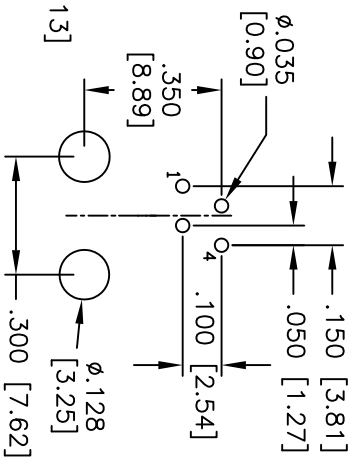
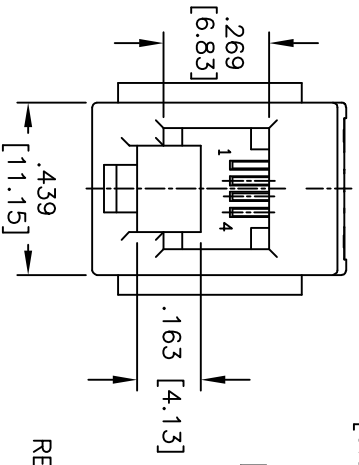
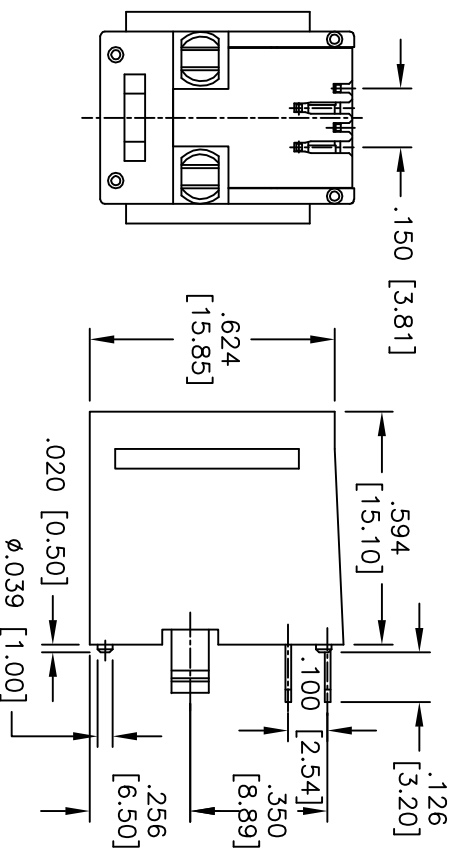
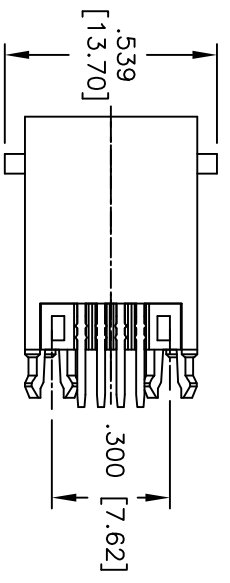


Rev	AWO #	Description	Date	Appr
-		RELEASED	6/21/10	

6 5 4 3 2 1

APPROVED: _____

DATE: _____ TITLE: _____



RECOMMENDED PCB LAYOUT

X	PLATING
0	15 µin Gold
1	30 µin Gold
2	50 µin Gold

SPECIFICATIONS:

Material: Insulator: PBT, rated UL 94V-0

Insulator color: Black

Contacts: Phosphor Bronze

Plating:

Gold over Nickel underplate on contact area,
Tin over Copper underplate on PCB tails

Electrical:

Operating voltage: 125 VAC

Current rating: 1.5 Amps

Contact resistance: 45 mohms max

Insulation resistance: 1000 Mohms min @ 500 VDC

Dielectric withstanding voltage: 1000 VAC for 1 minute

Temperature Rating: Operating temperature: -40°C to +85°C

Environmental:

Lead free, RoHS compliant.

Recommended soldering temp: 235°C for 5 sec.



UNLESS OTHERWISE SPECIFIED
ALL DIMENSIONS ARE INCHES [MM]
TOLERANCES: EXCEPT AS NOTED
INCHES HOLE SIZE DATE

ADAM TECH
909 Rahway Avenue, Union, NJ 07083
Phone: 908-687-5000 Fax: 908-687-5710
MODULAR TELEPHONE JACK, 4P4C
TOP ENTRY, PCB

DRAWN	DY	6/21/10
CHECKED		
APPROVED		

SIZE	PART NO.	REV.
X	MTJ-443X1-SNP	-
REF: S0003C	SCALE: NTS	SHEET 1 OF 1

6 5 4 3 2 1