

| Rev | AWO # | Description | Date     | Appr |
|-----|-------|-------------|----------|------|
| -   | 7268  | RELEASED    | 11/09/06 |      |

6

5

4

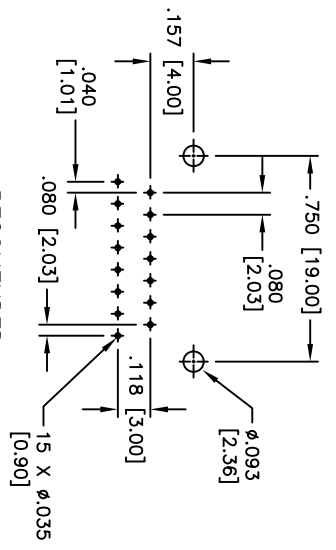
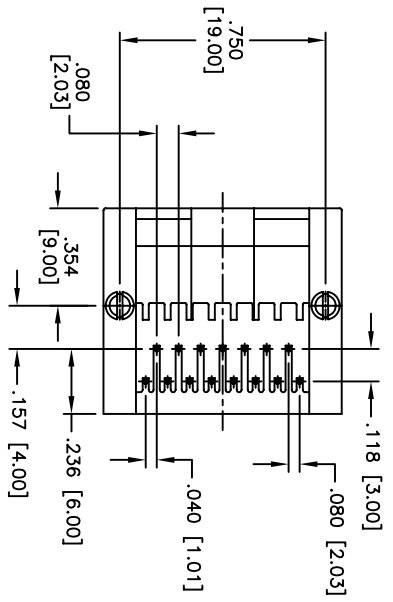
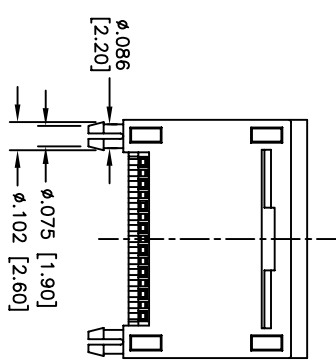
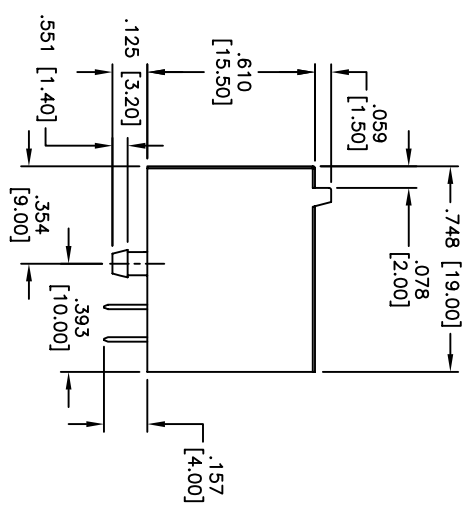
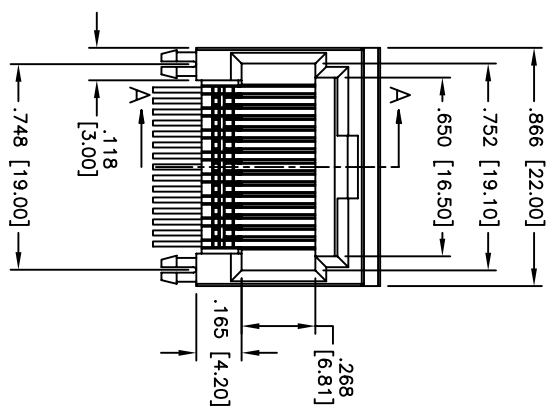
3

2

1

APPROVED: \_\_\_\_\_

DATE: \_\_\_\_\_ TITLE: \_\_\_\_\_



RECOMMENDED  
PCB LAYOUT

**SPECIFICATIONS:**

Material: Polycarbonate, rated UL 94V-2

Housing color: Transparency

Contacts: Phosphor Bronze

Plating:

Gold flash over Nickel underplate overall

Electrical:

Operating voltage: 250 VAC max

Current rating: 1 Amp max

Contact resistance: 20 mohms max

Insulation resistance: 5,000 Mohms min

Dielectric withstanding voltage: 1,000 VAC for 1 minute

Temperature Rating:

Operating temperature: -65°C to +125°C

Environmental:

Lead free, RoHS compliant

Recommended soldering temp: 235°C for 5 seconds



|   |              |
|---|--------------|
| UNLESS OTHERWISE SPECIFIED<br>ALL DIMENSIONS ARE IN INCHES [MM] |              |
| TOLERANCES: EXCEPT AS NOTED                                     |              |
| INCHES  | HOLDS        |
| .X ± .10  | ØXX ± .10    |
| .XX ± .020  | ØXXX ± .015  |
| .XXX ± .015   | ØXXXX ± .010 |
| APPROVALS   | DATE         |
| DRAWN   | BW           |
| CHECKED   |              |
| APPROVED  |              |

**ADAM TECH**  
909 Rahway Avenue, Union, NJ 07083  
Phone: 908-687-5000 Fax: 908-687-5710

**MODULAR TELEPHONE JACK (15P15C)**

|      |             |              |
|------|-------------|--------------|
| SIZE | PART NO.    | REV.         |
| X    | MTJ-1515PY1 | -            |
| REF: | SCALE: NTS  | SHEET 1 OF 1 |

6

5

4

3

2

1