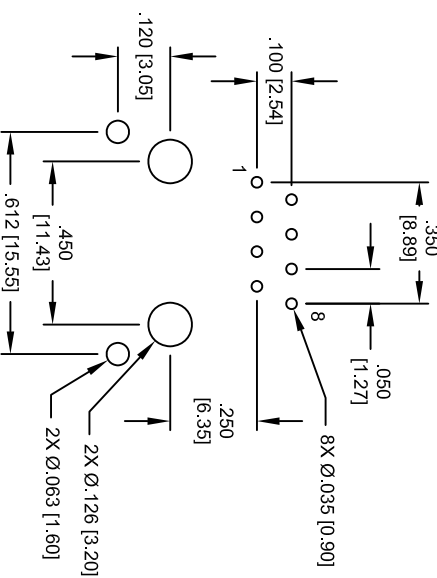
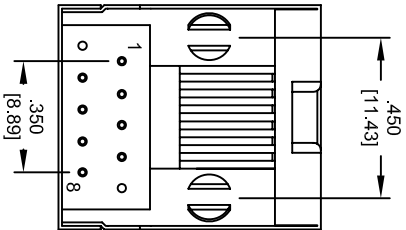
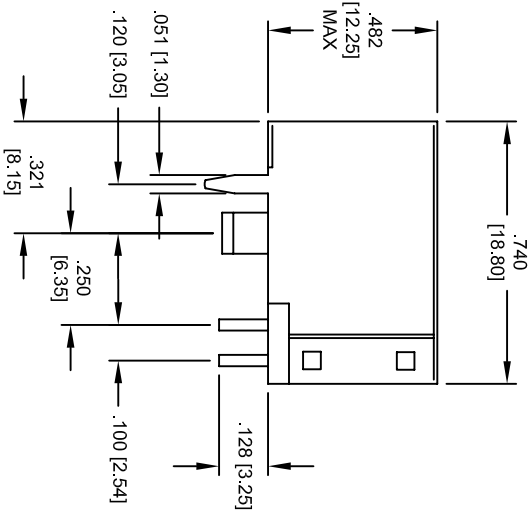
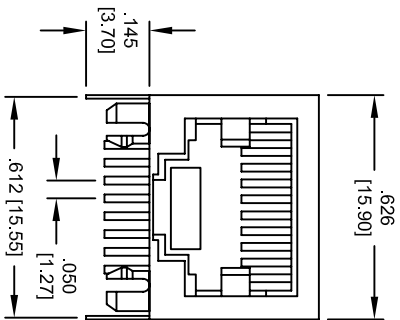


Rev	AWO #	Description	Date	Appr
-		RELEASED	8/15/07	

APPROVED: \_\_\_\_\_  
 DATE: \_\_\_\_\_ TITLE: \_\_\_\_\_



X	PLATING
0	15 µin Gold
1	30 µin Gold
2	50 µin Gold

RECOMMENDED  
PCB LAYOUT

**SPECIFICATIONS:**

Material: Insulator: PBT, rated UL 94V-0  
 Insulator color: Black  
 Contacts: Phosphor Bronze

**Plating:**

Gold over Nickel underplate on contact area, Tin over Copper underplate on PCB tails

**Electrical:**

Operating voltage: 150 VAC max  
 Current rating: 1.5 Amps max

Contact resistance: 20 mohms max

Insulation resistance: 500 Mohms min @ 500 VDC

Dielectric withstanding voltage: 1000 VAC for 1 minute

**Temperature Rating:**

Operating temperature: -40°C to +125°C

**Environmental:**

Lead free, RoHS compliant.

Recommended soldering temp: 235°C for 5 sec.



**ADAM TECH**

909 Railway Avenue, Union, NJ 07083  
 Phone: 908-687-5000 Fax: 908-687-5710

TITLE: MODULAR TELEPHONE JACK, 10P8C  
 RIGHT ANGLE, PCB

UNLESS OTHERWISE SPECIFIED ALL DIMENSIONS ARE INCHES [MM] TOLERANCES: EXCEPT AS NOTED			
.X	± .10	ØXX	± .10
.XX	± .020	ØXXX	± .015
.XXX	± .015	ØXXXX	± .010
APPROVALS			
DRAWN	SS	8/15/07	
CHECKED			
APPROVED			

SIZE	PART NO.	REV.
X	MTJ-1008WX1-FSE	-
SCALE: NTS	SHEET 1 OF 1	