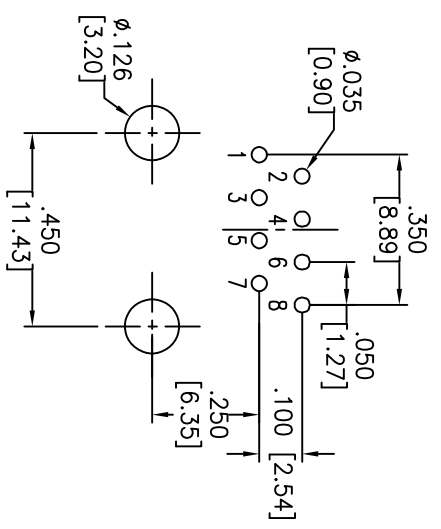
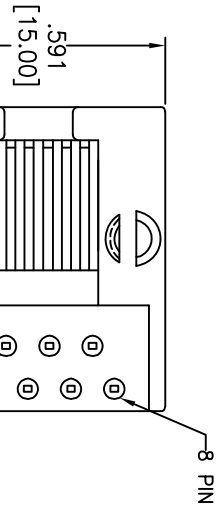
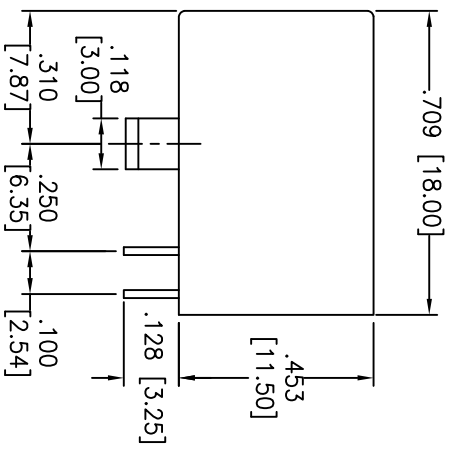
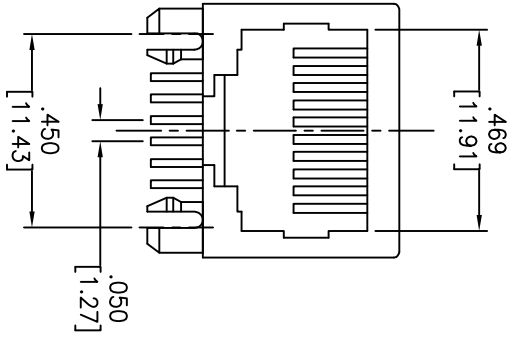


Rev	AWO #	Description	Date	Appr
-		RELEASED	12/06/07	
A		ADDED DIM.	10/13/08	
B		REDRAWN	9/21/10	

APPROVED: _____
 DATE: _____ TITLE: _____



RECOMMENDED PCB LAYOUT

X	PLATING
0	15 μin Gold
1	30 μin Gold
2	50 μin Gold

SPECIFICATIONS:
 Material: PBT, glass reinforced, rated UL 94V-0
 Insulator color: Black
 Contacts: Phosphor Bronze
 Shield: Copper Alloy, Nickel plated
 Contact Plating:
 Gold Flash over Nickel underplate on contact area,
 Tin over Copper underplate on tails
 (See chart for thickness)

Electrical:
 Operating voltage: 150 VAC max
 Current rating: 1.0 Amps max
 Contact Resistance: 40 mohms max. initial
 Insulation resistance: 500 Mohms min.
 Dielectric withstanding voltage: 1000VAC for 1 minute
 Temperature Rating:
 Operating temperature: -40°C to +85°C
 Environmental:
 Lead free, RoHS compliant.
 Recommended soldering temp: 235°C for 5 sec.

Environmental:
 Lead free, RoHS compliant.
 Recommended soldering temp: 235°C for 5 sec.



UNLESS OTHERWISE SPECIFIED
 ALL DIMENSIONS ARE INCHES [MM]
 TOLERANCES: EXCEPT AS NOTED
 INCHES: .X ± .10 Ø.X ± .10
 .XX ± .020 Ø.XX ± .015
 .XXX ± .015 Ø.XXX ± .010

ADAM TECH
 909 Rahway Avenue, Union, NJ 07083
 Phone: 908-687-5000 Fax: 908-687-5710
 MODULAR TELEPHONE JACK, 10P8C

APPROVALS	DATE	SIZE	PART NO.	REV.
DRAWN	SHIREN			
CHECKED		X	MTJ-10089X1	B
APPROVED		REF: S00085T	SCALE: NTS	SHEET 1 OF 1