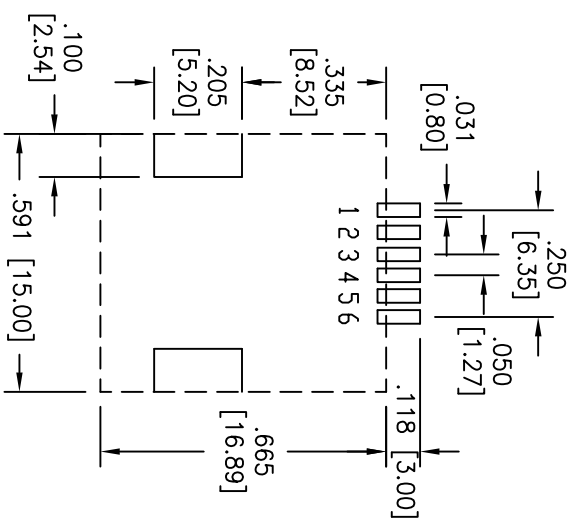
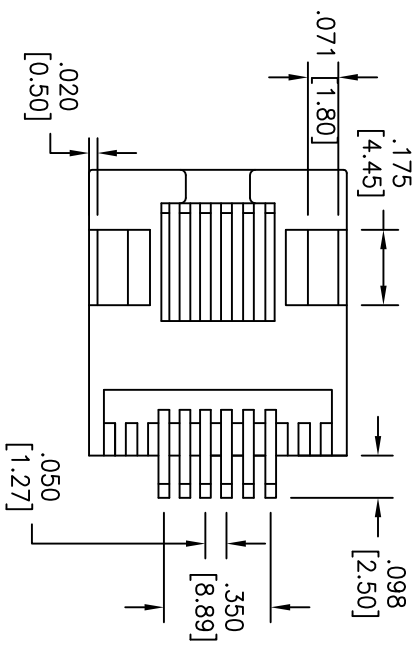
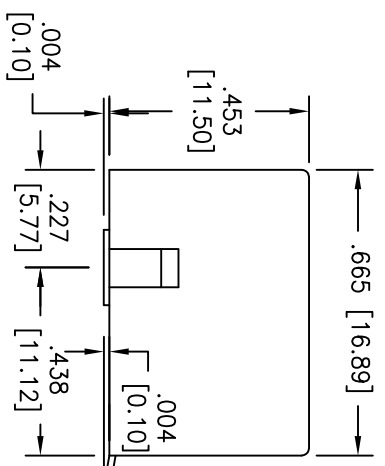
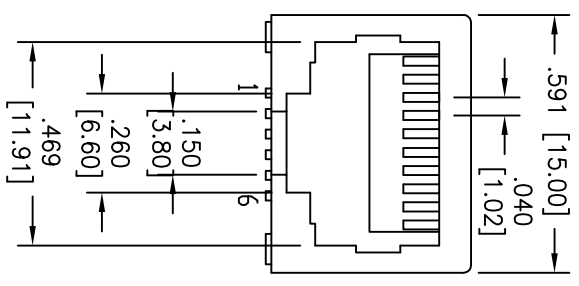


Rev	AWO #	Description	Date	Appr
-		RELEASED	9/07/09	

APPROVED: \_\_\_\_\_  
 DATE: \_\_\_\_\_ TITLE: \_\_\_\_\_



X	PLATING
0	15 µin Gold
1	30 µin Gold
2	50 µin Gold

PACKAGED ON TAPE & REEL

RECOMMENDED PCB LAYOUT

**SPECIFICATIONS:**

- Material: Nylon46, rated UL 94V-0
- Insulator color: Black
- Contacts: Phosphor Bronze
- Plating: Gold over Nickel underplate on contact area, Tin over Copper underplate on PCB tails

**Electrical:**

- Operating voltage: 125 VAC max
- Current rating: 1.5 Amps max
- Contact resistance: 20 mohms max
- Insulation resistance: 1000 Mohms min @ 500 VDC
- Dielectric withstanding voltage: 1000 VAC for 1 minute
- Temperature Rating: Operating temperature: -40°C to +125°C

- Environmental: Lead free, RoHS compliant.
- Recommended soldering temp: 260°C for 5 sec.



UNLESS OTHERWISE SPECIFIED ALL DIMENSIONS ARE INCHES [MM] TOLERANCES: EXCEPT AS NOTED	
.X	±.10
.XX	±.020
.XXX	±.015
Ø.XX	±.015
ØXXX	±.010
APPROVALS	DATE
DRAWN	DY
CHECKED	
APPROVED	

**ADAM TECH**  
 909 Railway Avenue, Union, NJ 07083  
 Phone: 908-687-5000 Fax: 908-687-5710

TITLE: MODULAR TELEPHONE JACK, 10P6C  
 SIDE ENTRY SMT TYPE

SIZE	PART NO.	REV.
X	MTJ-1006WAX1-TR	-
REF: S00085T	SCALE: MTS	SHEET 1 OF 2